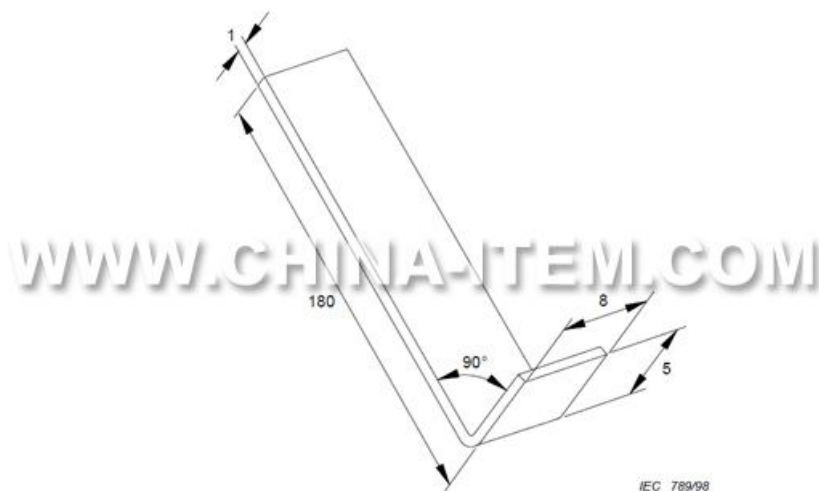


IEC60065 stainless steel Test Hooks

Used on enclosures prior to accessibility testing. The test hook is "hooked" into vents and seams in the enclosure & then pulled with a force (usually 20 N). Made entirely of stainless steel. Complies with IEC60065.

Technical parameter:

Length	180mm
Width	5mm
Thickness	1mm
Material	stainless steel
Reference	IEC60065,IEC60601-1,UL.CSA



NOTE See 9.1.7.

Dimensions in millimetres

Figure 4 – Test hook