



校准证书

CALIBRATION CERTIFICATE

证书编号:
Certificate No.



J201811148933-0002

第 1 页 共 4 页
Page of

委托方

Client

HK LEE HING INDUSTRY CO., LIMITED

委托方地址

Address

See more at: <http://www.china-gauges.com/>

仪器名称

Description

IPX3 IPX4 Hand-held Water Spray Nozzle

型号/规格

Model/Type

LX-IPX34H

制造厂

Manufacturer

HK LEE HING INDUSTRY CO., LIMITED

出厂编号

Serial No.

JLX2018G108038

管理号

Asset No. -----

校准日期

Date of Calibration

2018年11月17日

Y M D

样品接收日期

Date of Receipt

2018年11月14日

Y M D

批准人:

Approved Signatory

李伟强(主管)

审核:

Inspected by

伍水生

校准:

Calibrated by

黄星顺

证书专用章

(Stamp)

地址: 广东省广州市黄埔大道西平云路163号

Address: No.163.Pingyun Rd, West of HuangPu Ave.Guangzhou.Guangdong.China

计量校准机构备案号(The record number): 粤校备2017A019

联系电话(Tel.): 020-38699960,66830999,400-602-0999

扫一扫验真伪

传真(Fax): 020-38698685

邮政编码(Postcode): 510656

网站(Website): <http://www.grgtest.com>

电子邮件(E-mail): grgtest@grgtest.com

校准说明
DIRECTIONS OF CALIBRATION

证书编号: J201811148933-0002

第 2 页 共 4 页

Certificate No.

Page of

1. 本实验室出具的数据均可溯源至国家计量基准和国际单位制(SI).
(All data issued by GRGTest are traced to National Primary Standards and International System of Units(SI).)
2. 本结果仅对当次被测样品有效, 如有疑问请在15个工作日内反馈。(The result is ONLY valid for the tested sample, please feedback to us within 15 working days if you have any question.)
3. 本证书编号具有唯一性, 后缀若带有“-Gx”的证书为替换证书, 自发出后原证书即刻作废。
(Each certificate has a unique number. The suffix of "-Gx" will be added to the number as a replacement of the old version. The original certificate will be officially invalid once the new certificate number is issued.)
4. 证书中如有最大允许误差、判定结果, 仅供参考, 其中“P”代表“合格”, “F”代表“不合格”。证书中结论判定是指测得值是否符合规定要求的限定值, 而使用人员还应结合实际测量要求, 评估校准结果测量不确定度对符合性评定的影响。(MPE & judgement result in the datasheet is only for reference, "P" represents "Pass" and "F" represents "Fail". The judgement is made on the basis of whether the measured value conforms to the limited value specified in the regulation, whereas users should evaluate the effects of measurement uncertainty of calibration results on conformity determination associated with actual measurement.)
5. 本次校准的技术依据及CNAS认可范围, 超出范围的内容未被认可。注: 详细的认可范围请查看CNAS网站中注册编号为L0446的证书附件。(Reference document and accredited scope by CNAS for calibration, beyond which isn't accredited. Please see the attachment of certificate No.L0446 on CNAS website for details.)
GRGT(JL)4001-2017产品检验用检具校准方法: 尺寸&形位误差(0~5)m、角度(0~360)°、质量(0~150)kg、力值(0~1)kN、表面粗糙度Ra(0.012~6.3)μm、硬度: (1~100)HR、(5~3000)HV、(50~650)HB、(0~100)HA HD

6. 本次校准使用的主要测量标准(Main Standards of Measurement Used in the Calibration.):

名称 / 型号 Description / Model	编号 Serial No.	证书编号 Certificate No.	证书有效期 Due Date	技术特征 Technique Character
数显卡尺 /(0~300)mm/0.01mm	K15A145107	J201801194863-0002	2019-01-21	MPE: ±(0.03~0.04)mm
数显三点内径千分尺/ (12~16) mm	131200861	J201702136245-738-0002	2018-12-27	MPE: ±0.004mm
图像处理万能工具显微镜 /JX13C	ZH0020	CYY201800482	2019-05-14	MPE: (1+L/100)μm

7. 校准地点、环境条件(Place and environmental conditions of the calibration):

地点 Place	广州计量长度精密测量室	温度 Temperature	20.3 °C	相对湿度 Relative Humidity	60 %
-------------	-------------	-------------------	---------	---------------------------	------

8. 建议复校时间间隔: 1年, 送校单位也可按实际使用情况自主决定。
Suggested calibration interval is 1 year or it can be altered depending on the actual usage of the user.

校准结果
RESULTS OF CALIBRATION

证书编号: J201811148933-0002

第 3 页 共 4 页

Certificate No.

Page of

1、外观以及一般性检查:

符合要求

Appearance:

Pass

2、参数校准:

Parameter measurement:

标称值 Nominal	实测平均值 Measured average	扩展不确定度 $U(k=2)$
$\Phi 15(\text{mm})$	15.66	0.05
75.5(mm)	75.48	0.05
30°	29.9°	0.3°
$\Phi 100(\text{mm})$	99.96	0.05
$\Phi 102(\text{mm})$	102.02	0.05
15°	15.3°	0.3°
$6'30''$	$6'33''$	$18''$
$\Phi 0.5(\text{mm})$	0.51	0.02

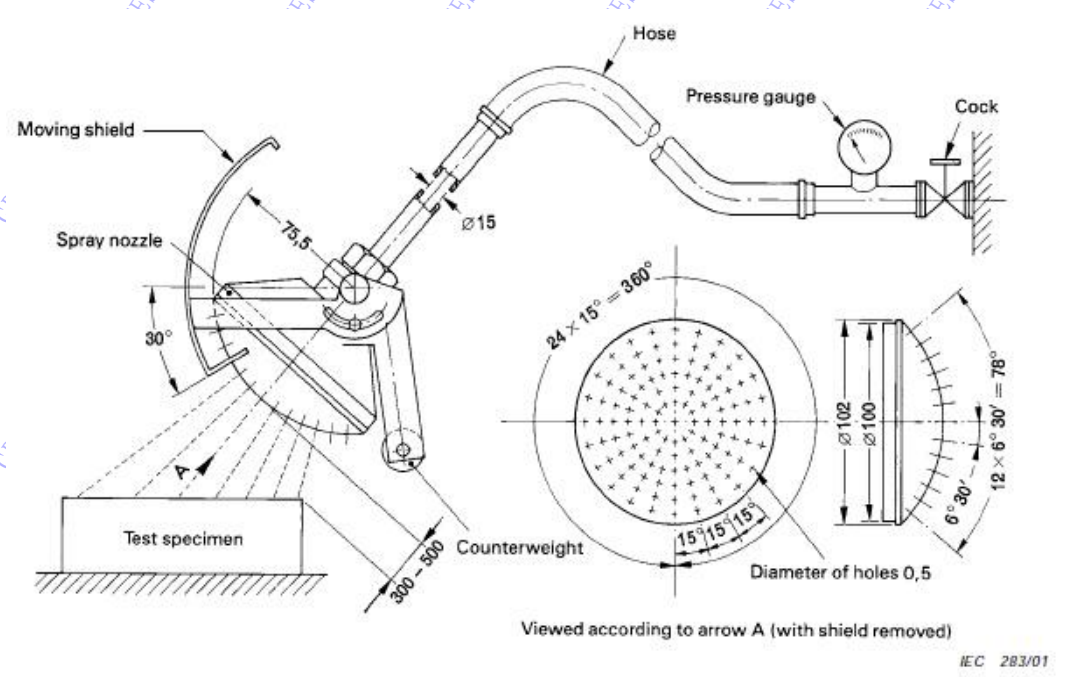
校准结果 RESULTS OF CALIBRATION

证书编号: J201811148933-0002

第 4 页 共 4 页

Certificate No.

Page of



- Dimensions in millimetres
- 121 holes of $\varnothing 0,5$;
 - 1 hole at the centre
 - 2 inner circles of 12 holes at 30° pitch
 - 4 outer circles of 24 holes at 15° pitch
- Moving shield - Aluminium
Spray nozzle - Brass

备注:
Notes:

结论(Conclusion): 按校准结果使用

1.本报告中的扩展不确定度是由标准不确定度乘以包含概率约为95%时的包含因子 k 。
The expanded uncertainty is given in the report by the standard uncertainty multiplied by the probability of about 95% when the factor k .

2.依据(Reference document)
JJF 1059.1-2012 测量不确定度评定与表示
(JJF 1059.1-2012 Evaluation and Expression of Uncertainty in Measurement)

3.技术指标来自于: IEC60529-2013 外壳防护等级(IP代码)
Technical indicators source: IEC60529-2013 Degrees of protection provided by enclosure (IP code)

(以下空白)
(The below is blank)