

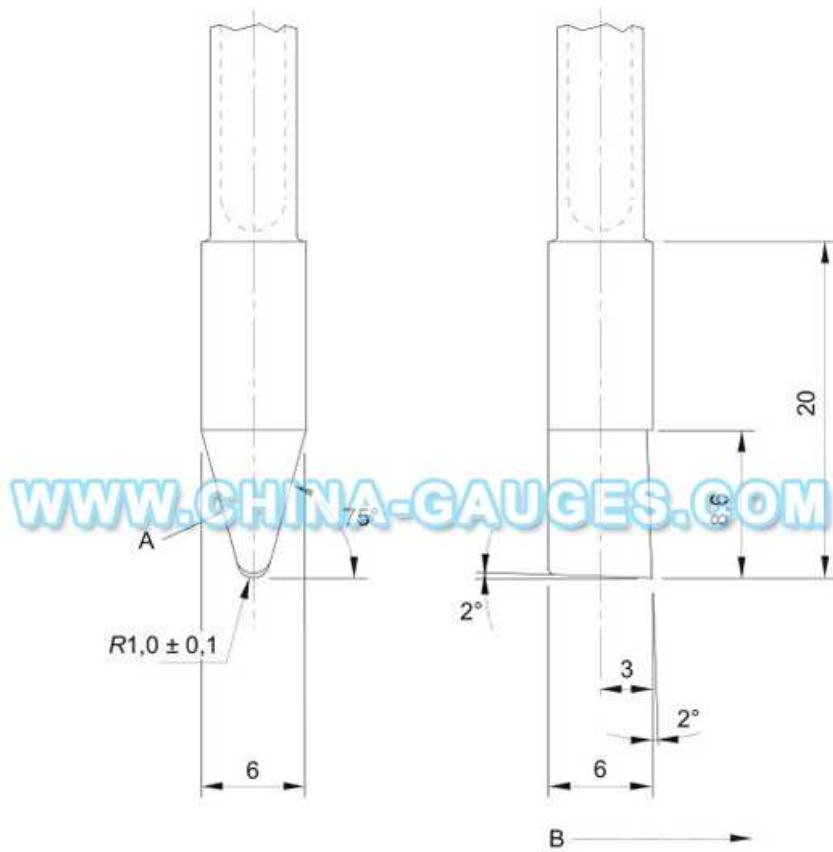
The scratching tool tip is for home appliances whose accessible element surface of all protected cooling system, including the accessible element surface that have close contact with a protected cooling system to do the scratch test. For example, the scratch resistant test of refrigerator or door. It conforms to the IEC60335-2-24 Figure 102.

Such standards require the checking of accessibility to dangerous parts of home electronics and appliances, toys, tools and a host of other products that are intended to be protected by enclosures.

Key

A Hard-soldered carbide tip K10

B Direction of movement



IEC

Key

A Hard-soldered carbide tip K10

B Direction of movement

Figure 102 – Detail of scratching tool tip