



CEE7 C23 Device for Measuring The Contact Pressure of Earthing Contacts of 10/16A 250V Two-Pole Socket-Outlets with Side Earthing-Contacts

1. Application:

This plug and socket test gauge is mainly used to test and inspect whether the structure and size of plugs and sockets conform to CEE7 (CEE7/7) standards. And the mainly application industries is electronics, electrical appliances, plugs and sockets and other similar areas.

2. Features:

Gauge dimensions, tolerances, material, hardness, surface roughness conform to the standards requirements; Material hardness is more than 50HRC; Material thermal expansion coefficient is small, dimensions and tolerances is stable and reliable.

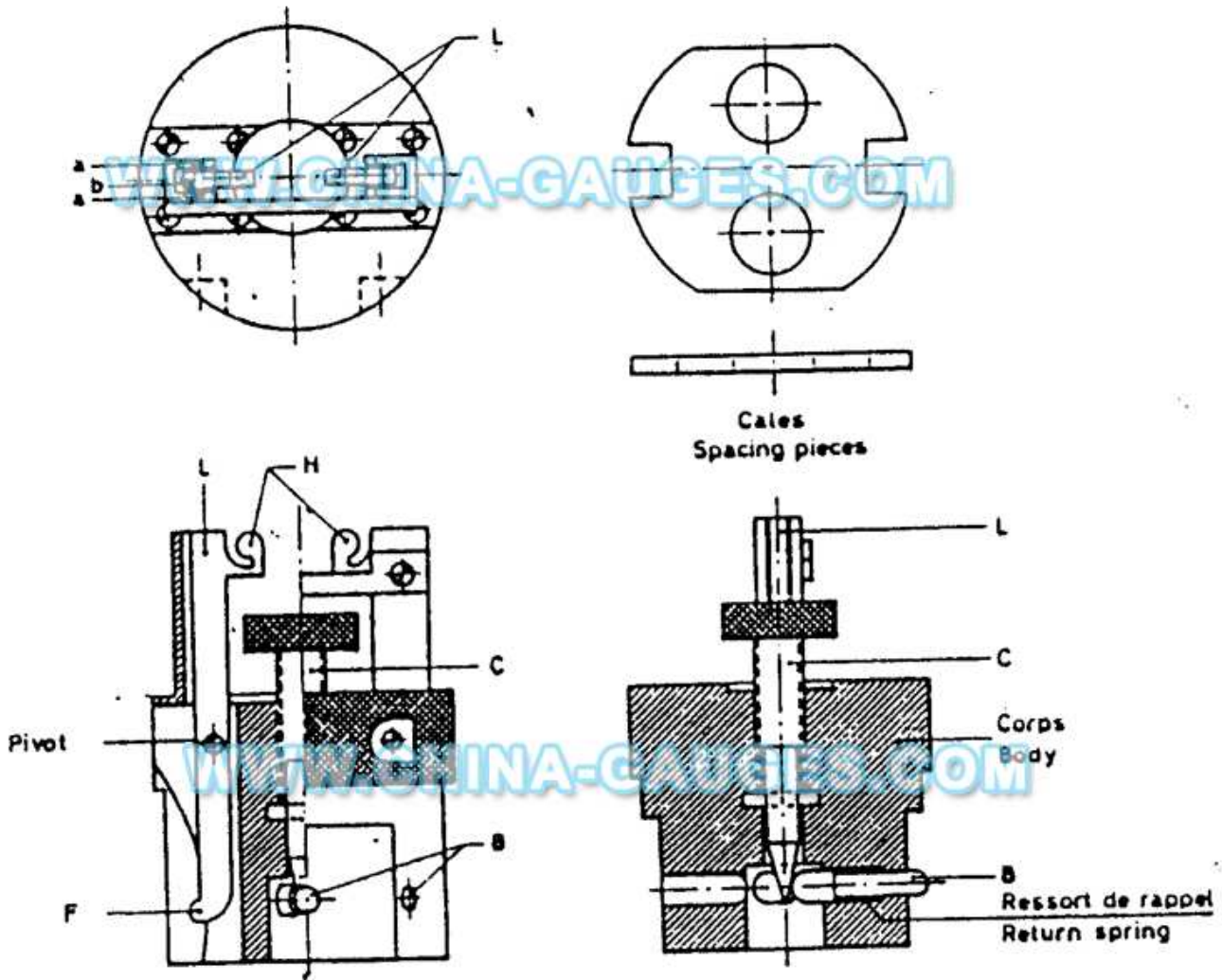


Fig. 23

Dispositif pour la mesure de la pression de contact des contacts de terre des socles et prises mobiles bipolaires 10/16 A 250 V avec contacts latéraux de terre

Device for measuring the contact pressure of earthing contacts of 10/16 A 250 V two-pole socket-outlets with side earthing-contacts