



BSI Standards Publication

<http://www.china-gauges.com/>

# Electrical equipment for measurement, control and laboratory use — EMC requirements

Part 2-2: Particular requirements —  
Test configurations, operational conditions  
and performance criteria for portable test,  
measuring and monitoring equipment  
used in low-voltage distribution systems  
(IEC 61326-2-2:2012)

### National foreword

This British Standard is the UK implementation of EN 61326-2-2:2013. It is identical to IEC 61326-2-2:2012. It supersedes BS EN 61326-2-2:2006, which will be withdrawn on 6 November 2015.

The UK participation in its preparation was entrusted by Technical Committee GEL/65, Measurement and control, to Subcommittee GEL/65/4, System considerations.

A list of organizations represented on this committee can be obtained on request to its secretary.

This publication does not purport to include all the necessary provisions of a contract. Users are responsible for its correct application.

© The British Standards Institution 2013.

Published by BSI Standards Limited 2013.

ISBN 978 0 580 70406 2

ICS 25.040.40; 33.100.01

### Compliance with a British Standard cannot confer immunity from legal obligations.

This British Standard was published under the authority of the Standards Policy and Strategy Committee on 28 February 2013.

### Amendments issued since publication

Amd. No.	Date	Text affected
----------	------	---------------

---

EUROPEAN STANDARD  
NORME EUROPÉENNE  
EUROPÄISCHE NORM

**EN 61326-2-2**

January 2013

ICS 17.220; 25.040.40; 33.100

Supersedes EN 61326-2-2:2006

English version

**Electrical equipment for measurement, control and laboratory use -  
EMC requirements -  
Part 2-2: Particular requirements -  
Test configurations, operational conditions and performance criteria for  
portable test, measuring and monitoring equipment used in low-voltage  
distribution systems  
(IEC 61326-2-2:2012)**

Matériel électrique de mesure, de  
commande et de laboratoire -  
Exigences relatives à la CEM -  
Partie 2-2: Exigences particulières -  
Configurations d'essai, conditions de  
fonctionnement et critères d'aptitude à la  
fonction des matériels portatifs d'essai, de  
mesure et de surveillance utilisés dans  
des systèmes de distribution basse  
tension  
(CEI 61326-2-2:2012)

Elektrische Mess-, Steuer-, Regel- und  
Laborgeräte – EMV-Anforderungen – Teil  
2-2: Besondere Anforderungen –  
Prüfanordnung, Betriebsbedingungen und  
Leistungsmerkmale für ortsveränderliche  
Prüf-, Mess- und Überwachungsgeräte für  
den Gebrauch in Niederspannungs-  
Stromversorgungsnetzen  
(IEC 61326-2-2:2012)

This European Standard was approved by CENELEC on 2012-11-06. CENELEC members are bound to comply with the CEN/CENELEC Internal Regulations which stipulate the conditions for giving this European Standard the status of a national standard without any alteration.

Up-to-date lists and bibliographical references concerning such national standards may be obtained on application to the CEN-CENELEC Management Centre or to any CENELEC member.

This European Standard exists in three official versions (English, French, German). A version in any other language made by translation under the responsibility of a CENELEC member into its own language and notified to the CEN-CENELEC Management Centre has the same status as the official versions.

CENELEC members are the national electrotechnical committees of Austria, Belgium, Bulgaria, Croatia, Cyprus, the Czech Republic, Denmark, Estonia, Finland, Former Yugoslav Republic of Macedonia, France, Germany, Greece, Hungary, Iceland, Ireland, Italy, Latvia, Lithuania, Luxembourg, Malta, the Netherlands, Norway, Poland, Portugal, Romania, Slovakia, Slovenia, Spain, Sweden, Switzerland, Turkey and the United Kingdom.

## CENELEC

European Committee for Electrotechnical Standardization  
Comité Européen de Normalisation Electrotechnique  
Europäisches Komitee für Elektrotechnische Normung

**Management Centre: Avenue Marnix 17, B - 1000 Brussels**

## Foreword

The text of document 65A/642/FDIS, future edition 2 of IEC 61326-2-2, prepared by SC 65A, "System aspects", of IEC TC 65, "Industrial-process measurement, control and automation" was submitted to the IEC-CENELEC parallel vote and approved by CENELEC as EN 61326-2-2:2013.

The following dates are fixed:

- latest date by which the document has to be implemented at national level by publication of an identical national standard or by endorsement (dop) 2013-08-06
- latest date by which the national standards conflicting with the document have to be withdrawn (dvw) 2015-11-06

This document supersedes EN 61326-2-2:2006.

EN 61326-2-2:2013 includes the following significant technical changes with respect to EN 61326-2-2:2006:

– Update with respect to EN 61326-1:2013.

EN 61326-2-2:2013 is to be used in conjunction with EN 61326-1:2013 and follows the same numbering of clauses, subclauses, tables and figures.

When a particular subclause of EN 61326-1 is not mentioned in this part, that subclause applies as far as is reasonable. When this standard states "addition", "modification" or "replacement", the relevant text in EN 61326-1 is to be adapted accordingly.

NOTE The following numbering system is used:

- subclauses, tables and figures that are numbered starting from 101 are additional to those in EN 61326-1;
- unless notes are in a new subclause or involve notes in EN 61326-1, they are numbered starting from 101 including those in a replaced clause or subclause;
- additional annexes are lettered AA, BB, etc.

Attention is drawn to the possibility that some of the elements of this document may be the subject of patent rights. CENELEC [and/or CEN] shall not be held responsible for identifying any or all such patent rights.

This document has been prepared under a mandate given to CENELEC by the European Commission and the European Free Trade Association, and supports essential requirements of EU Directive(s).

For the relationship with EU Directive(s) see informative Annex ZZ, which is an integral part of this document.

## Endorsement notice

The text of the International Standard IEC 61326-2-2:2012 was approved by CENELEC as a European Standard without any modification.

The following documents, in whole or in part, are normatively referenced in this document and are indispensable for its application. For dated references, only the edition cited applies. For undated

NOTE When an international publication has been modified by common modifications, indicated by (mod), the relevant EN/HD applies.

*Annex ZA of EN 61326-1:2013 applies, except as follows:*

<u>Publication</u>	<u>Year</u>	<u>Title</u>	<u>EN/HD</u>	<u>Year</u>
IEC 61326-1	2012	Electrical equipment for measurement, control and laboratory use - EMC requirements - Part 1: General requirements	EN 61326-1	2013
IEC 61557	Series	Electrical safety in low voltage distribution systems up to 1 000 V a.c. and 1 500 V d.c. - Equipment for testing, measuring or monitoring of protective measures	EN 61557	Series

**Annex ZZ**  
(informative)

**Coverage of Essential Requirements of EU Directives**

This European Standard has been prepared under a mandate given to CENELEC by the European Commission and the European Free Trade Association and within its scope the standard covers protection requirements of Annex I, Article 1 of the EC Directive 2004/108/EC.

Compliance with this standard provides one means of conformity with the specified essential requirements of the Directive[s] concerned.

NOTE Other requirements and other EU Directives may be applicable to the products falling within the scope of this standard.

<http://www.china-gauges.com/>

## CONTENTS

1	Scope .....	5
2	Normative references .....	6
3	Terms and definitions .....	5
4	General .....	6
5	EMC test plan.....	6
5.1	General .....	6
5.2	Configuration of EUT during testing .....	6
5.3	Operation conditions of EUT during testing.....	8
5.4	Specification of functional performance .....	8
5.5	Test description.....	8
6	Immunity requirements.....	8
6.1	Conditions during the tests .....	8
6.2	Immunity test requirements .....	8
6.3	Random aspects.....	9
6.4	Performance criteria .....	9
7	Emission requirements .....	9
8	Test results and test report.....	9
9	Instructions for use .....	9
	Figure 101 – Test set-up for portable test, measuring and monitoring equipment based on IEC 61000-4-3 .....	7
	Figure 102 – Example of connection details for voltage measurements.....	7
	Figure 103 – Example of connection details for current measurements .....	8

# ELECTRICAL EQUIPMENT FOR MEASUREMENT, CONTROL AND LABORATORY USE – EMC REQUIREMENTS –

## Part 2-2: Particular requirements – Test configurations, operational conditions and performance criteria for portable test, measuring and monitoring equipment used in low-voltage distribution systems

### 1 Scope

In addition to the scope of IEC 61326-1, this part of IEC 61326 specifies more detailed test configurations, operational conditions and performance criteria for equipment covered by Annex A of IEC 61326-1 which is:

- used for testing, measuring or monitoring of protective measures in low-voltage distribution systems, and;
- powered by battery and/or from the circuit measured, and
- portable.

Examples of such EUT include, but are not limited to, voltage detectors, insulation testers, earth continuity testers, earth resistance testers, loop impedance testers, “residual-current-device-testers” (RCD-testers) and phase sequence testers as defined in IEC 61557.

NOTE Particular EMC requirements for equipment covered by IEC 61557-8 and IEC 61557-9 are given in IEC 61326-2-4.

The manufacturer specifies the environment for which the product is intended to be used and/or select the appropriate test level specifications of IEC 61326-1.

### 2 Normative references

The following documents, in whole or in part, are normatively referenced in this document and are indispensable for its application. For dated references, only the edition cited applies. For undated references, the latest edition of the referenced document (including any amendments) applies.

Clause 2 of IEC 61326-1:2012 applies, except as follows:

*Addition:*

IEC 61326-1:2012, *Electrical equipment for measurement, control and laboratory use – EMC requirements – Part 1: General requirements*

IEC 61557 (all parts), *Electrical safety in low voltage distribution systems up to 1 000 V a.c. and 1 500 V d.c. – Equipment for testing, measuring or monitoring of protective measures*

### 3 Terms and definitions

For the purposes of this document, the terms and definitions given in IEC 61326-1 and IEC 60050-161 apply.



## 4 General

Clause 4 of IEC 61326-1 applies.

## 5 EMC test plan

### 5.1 General

Subclause 5.1 of IEC 61326-1 applies.

### 5.2 Configuration of EUT during testing

Subclause 5.2 of IEC 61326-1 applies, except as follows:

*Addition:*

#### 5.2.4.101 Test and measurement I/O ports

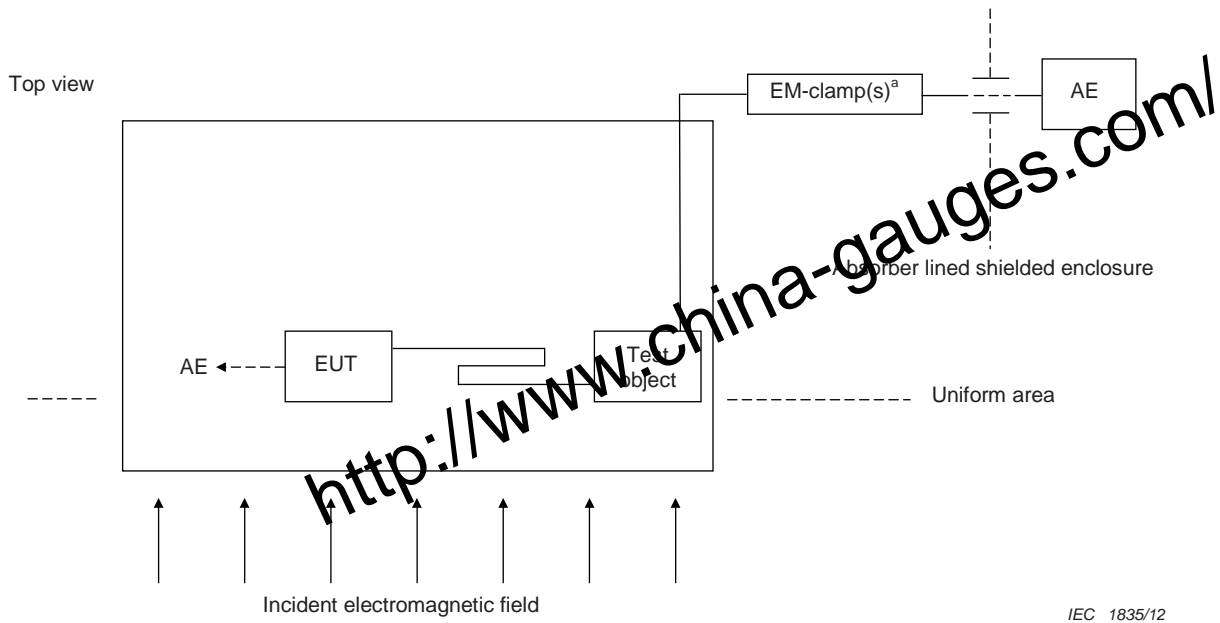
Electrostatic discharge shall be applied to the housing, to the terminals of the EUT and to the coupling planes, but not to the inner pins of shielded port or cable connectors (for example, BNC, D-subminiature, IEEE 488 (GPIB), RS232, IEEE 1284-B (parallel printer port), etc.).

For the test according to IEC 61000-4-3 the following conditions shall be met. Test and measurement ports shall be connected with test leads recommended or supplied with the EUT. Where the test leads are unspecified, typical test leads shall be used. The test leads shall be connected and arranged in a typical configuration for each operation mode, according to Figure 101.

If the test leads recommended or supplied are longer than 1 m, each one should be bundled up so that the test or measurement object is in a (horizontal) distance of 1 m to the EUT.

The test leads shall be arranged 0,1 m apart in a horizontal position on the test table.

<http://www.china-gauges.com/>



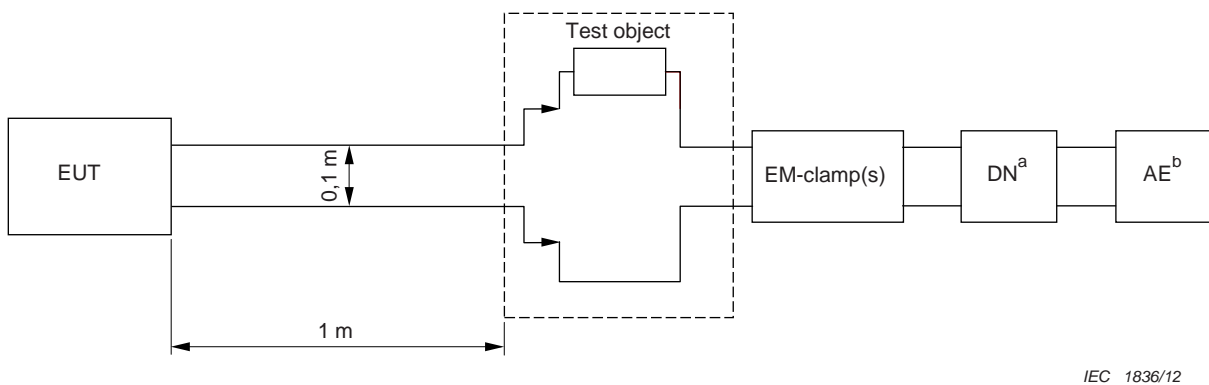
<sup>a</sup> EM-clamp(s) (if necessary).

**Figure 101 – Test set-up for portable test, measuring and monitoring equipment based on IEC 61000-4-3**

Auxiliary equipment (AE) required for generating or monitoring the test object signal shall be connected according to Figure 101 via EM-clamps if necessary as described in IEC 61000-4-6, Figure A.3.

Voltage measurements shall be made with a  $1\ 000\ \Omega \pm 100\ \Omega$  resistor (test object) connected in series with one of the test leads as shown in Figure 102.

For other measurements, the test object shall be specified by the manufacturer and documented in the test report.

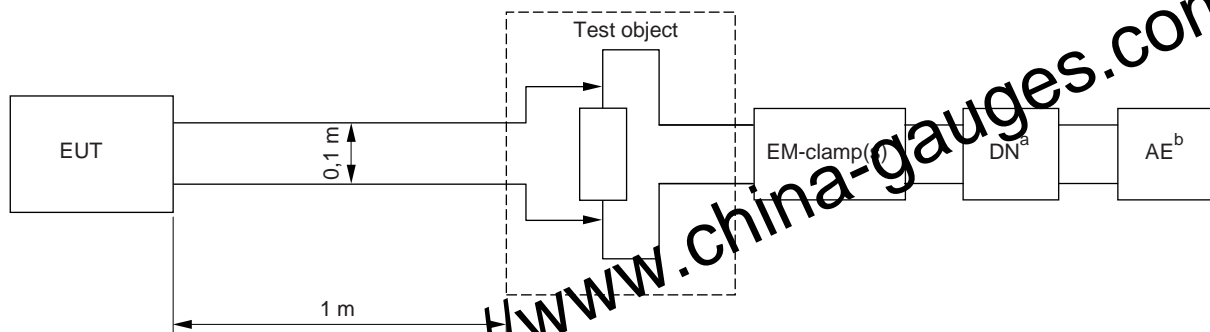


<sup>a</sup> Decoupling network (if necessary).

<sup>b</sup> For example, voltage source.

**Figure 102 – Example of connection details for voltage measurements**

Current measurements shall be made with a  $100\ \Omega \pm 10\ \Omega$  resistor (test object) connected in parallel with the test leads as shown in Figure 103.



IEC 1837/12

<sup>a</sup> Decoupling network (if necessary).

<sup>b</sup> For example, current source.

**Figure 103 – Example of connection details for current measurements**

### 5.3 Operation conditions of EUT during testing

Subclause 5.3 of IEC 61326-1 applies, except as follows:

*Addition:*

#### 5.3.101 Operational conditions

Test and measurement equipment shall be set to the most sensitive ranges or combination of ranges unless other ranges are known to provide worst-case immunity results within normal application. Each function of multifunctional equipment shall be tested separately.

### 5.4 Specification of functional performance

Subclause 5.4 of IEC 61326-1 applies.

### 5.5 Test description

Subclause 5.5 of IEC 61326-1 applies.

## 6 Immunity requirements

### 6.1 Conditions during the tests

Subclause 6.1 of IEC 61326-1 applies.

### 6.2 Immunity test requirements

Subclause 6.2 of IEC 61326-1 is replaced by the following:

Table A.1 of IEC 61326-1 gives the immunity requirements for equipment covered by the scope of this part.

*Addition:*

### **6.2.101 Electromagnetic field**

If the maximum dimension of the equipment enclosure is  $<0,3$  m, the test is performed from only one side in accordance with Figure 101 and noted in the test report.

### **6.3 Random aspects**

Subclause 6.3 of IEC 61326-1 applies.

### **6.4 Performance criteria**

Subclause 6.4 of IEC 61326-1 applies, except as follows:

*Replacement for 6.4.2 of IEC 61326-1:*

#### **6.4.2.101 Performance criterion A**

During testing, normal performance within the specification limits. This includes that variations are allowed outside the maximum intrinsic error documented in the technical data of the instructions for use. The variations shall be limited to five times the intrinsic error but not more than  $\pm 20$  % of the measured value when measured at between 50 % and 100 % of full scale.

## **7 Emission requirements**

Clause 7 of IEC 61326-1 applies.

## **8 Test results and test report**

Clause 8 of IEC 61326-1 applies.

## **9 Instructions for use**

Clause 9 of IEC 61326-1 applies.

---

<http://www.china-gauges.com/>

# British Standards Institution (BSI)

BSI is the national body responsible for preparing British Standards and other standards-related publications, information and services.

BSI is incorporated by Royal Charter. British Standards and other standardization products are published by BSI Standards Limited.

## About us

We bring together business, industry, government, consumers, innovators and others to shape their combined experience and expertise into standards-based solutions.

The knowledge embodied in our standards has been carefully assembled in a dependable format and refined through our open consultation process. Organizations of all sizes and across all sectors choose standards to help them achieve their goals.

## Information on standards

We can provide you with the knowledge that your organization needs to succeed. Find out more about British Standards by visiting our website at [bsigroup.com/standards](http://bsigroup.com/standards) or contacting our Customer Services team or Knowledge Centre.

## Buying standards

You can buy and download PDF versions of BSI publications, including British and adopted European and international standards, through our website at [bsigroup.com/shop](http://bsigroup.com/shop), where hard copies can also be purchased.

If you need international and foreign standards from other Standards Development Organizations, hard copies can be ordered from our Customer Services team.

## Subscriptions

Our range of subscription services are designed to make using standards easier for you. For further information on our subscription products go to [bsigroup.com/subscriptions](http://bsigroup.com/subscriptions).

With **British Standards Online (BSOL)** you'll have instant access to over 55,000 British and adopted European and international standards from your desktop. It's available 24/7 and is refreshed daily so you'll always be up to date.

You can keep in touch with standards developments and receive substantial discounts on the purchase price of standards, both in single copy and subscription format, by becoming a **BSI Subscribing Member**.

**PLUS** is an updating service exclusive to BSI Subscribing Members. You will automatically receive the latest hard copy of your standards when they're revised or replaced.

To find out more about becoming a BSI Subscribing Member and the benefits of membership, please visit [bsigroup.com/shop](http://bsigroup.com/shop).

With a **Multi-User Network Licence (MUNL)** you are able to host standards publications on your intranet. Licences can cover as few or as many users as you wish. With updates supplied as soon as they're available, you can be sure your documentation is current. For further information, email [bsmusales@bsigroup.com](mailto:bsmusales@bsigroup.com).

## BSI Group Headquarters

389 Chiswick High Road London W4 4AL UK

## Revisions

Our British Standards and other publications are updated by amendment or revision.

We continually improve the quality of our products and services to benefit your business. If you find an inaccuracy or ambiguity within a British Standard or other BSI publication please inform the Knowledge Centre.

## Copyright

All the data, software and documentation set out in all British Standards and other BSI publications are the property of and copyrighted by BSI, or some person or entity that owns copyright in the information used (such as the international standardization bodies) and has formally licensed such information to BSI for commercial publication and use. Except as permitted under the Copyright, Designs and Patents Act 1988 no extract may be reproduced, stored in a retrieval system or transmitted in any form or by any means – electronic, photocopying, recording or otherwise – without prior written permission from BSI. Details and advice can be obtained from the Copyright & Licensing Department.

## Useful Contacts:

### Customer Services

**Tel:** +44 845 086 9001

**Email (orders):** [orders@bsigroup.com](mailto:orders@bsigroup.com)

**Email (enquiries):** [cservices@bsigroup.com](mailto:cservices@bsigroup.com)

### Subscriptions

**Tel:** +44 845 086 9001

**Email:** [subscriptions@bsigroup.com](mailto:subscriptions@bsigroup.com)

### Knowledge Centre

**Tel:** +44 20 8996 7004

**Email:** [knowledgecentre@bsigroup.com](mailto:knowledgecentre@bsigroup.com)

### Copyright & Licensing

**Tel:** +44 20 8996 7070

**Email:** [copyright@bsigroup.com](mailto:copyright@bsigroup.com)