

1. IP2X Test Finger with 10N



IEC Standard Articulated Test Probe is a precision test probe made according to Figure 2 (Fig. 2) of the IEC 61032 (Test probe B) and is used to simulate a human finger. It is also used by the standards of CSA, IRAM, UL, IEC 60335, IRAM 4220-1 and in most of the rules involved in the verification of accessibility to live parts.

The Jointed Test Finger was made on stainless steel and Polyamide handle.

Material: Stainless Steel.

Handle: Polyamide.

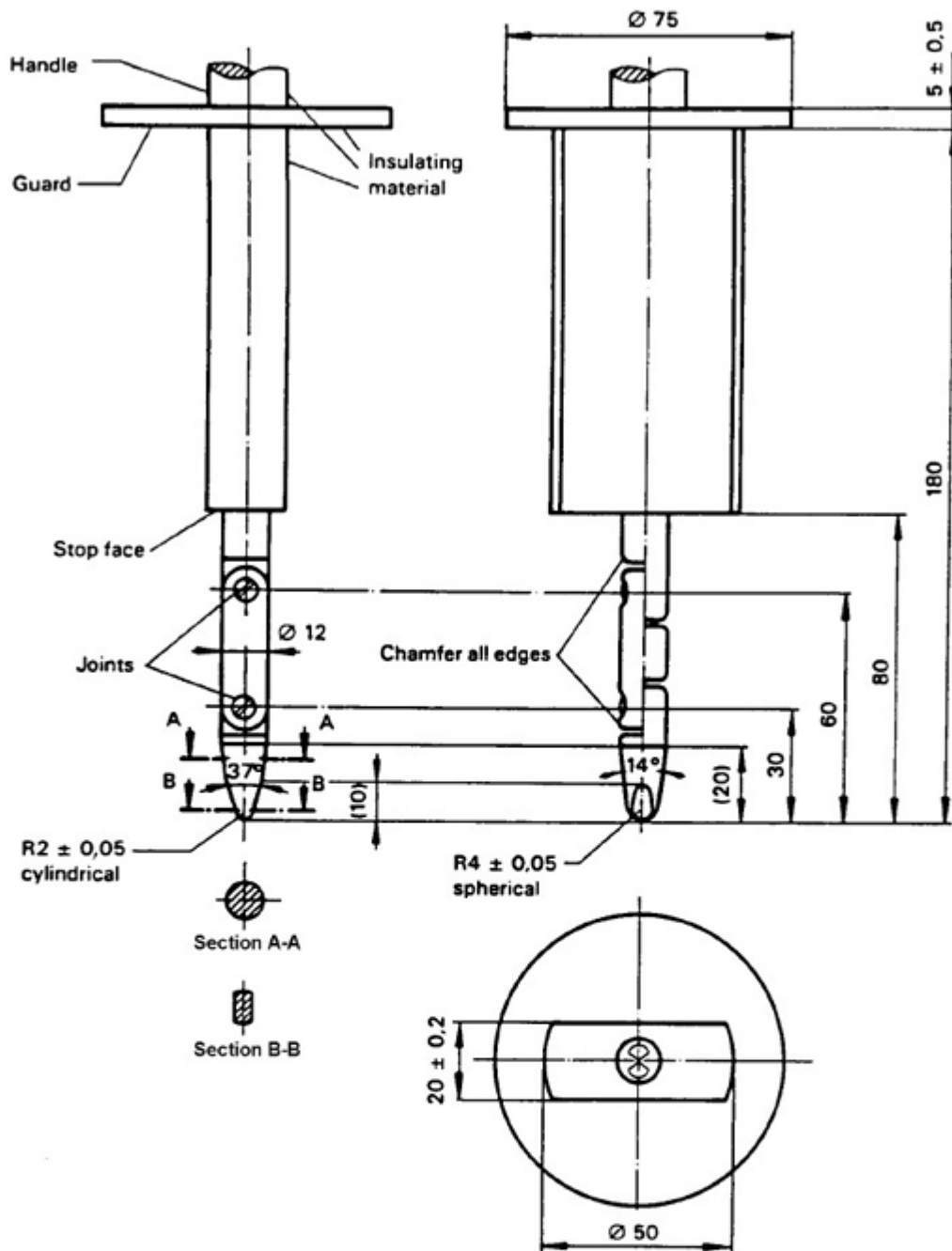
Finish: Chrome plating.

According to: IEC 61032, IEC 60335-1, IEC 60529-2001, IRAM 4220-1, SASO/IEC 60335-1, SASO IEC 60950, IEC 60950/EN60950.

Thrust: 10N



b)



Dimensions in millimetres

Material: metal, except where otherwise specified.

Tolerance on dimensions when no specific tolerance is given:

– on angles: $\begin{matrix} 0 \\ -10^\circ \end{matrix}$

– on linear dimensions: up to 25 mm: $\begin{matrix} 0 \\ -0,05 \end{matrix}$ mm; over 25 mm: $\pm 0,2$ mm.

Both joints shall permit movement in the same plane and the same direction through an angle of 90° with a 0° to +10° tolerance.

This probe is intended to verify the basic protection against access to hazardous parts. It is also used to verify the protection against access with a finger.

Figure 2 – Test probe B

2. Electrical Contact Indicator



1.Introduction:

The electric contact power indicator is made according to IEC60335 for standard electric shock prevention test. It provides a 40-45V power supply in the IP test for metal wire.

1. The electric contact power indicator use digital chips, it has over-current and short circuit protect function.
2. Digital display, can see the voltage clearly.
3. Sound indicator, can make you focus on the test and don't need to find an indicating light.
4. Thickening aluminum box, better for heat exchange.
5. Small size, easy to carry.

Input :AC 180-250V

Output:41-43V

Fuse:220V 2A

2. Application:

1. Turn on the tested sample, one head of the device connect to the plug. According to different standard, the connection to the ground wire need to follow to the standard.
2. Connect the other head of the device to the testing tool. According to different standard, it will need to exert certain thrust. Please try to use with the tools with thrust.
3. During the test, if there's any sound indicating, which means the sample is not pass the test.

3.Note:

Please do the conduction test before the test, in case the test wire damage to affect the result.
Please take care of it and put it up and down slightly.