

# Standard method of measurement of lamp cap temperature rise

The European Standard EN 60360:1998 has the status of a  
British Standard

ICS 29.140.10

# National foreword

This British Standard is the English language version of EN 60360:1998. It is identical with IEC 60360:1998. It supersedes BS 5371:1990 which is withdrawn.

The UK participation in its preparation was entrusted to Technical Committee CPL/34/1, Lamps, which has the responsibility to:

- aid enquirers to understand the text;
- present to the responsible international/European committee any enquiries on the interpretation, or proposals for change, and keep the UK interests informed;
- monitor related international and European developments and promulgate them in the UK.

A list of organizations represented on this committee can be obtained on request to its secretary.

From 1 January 1997, all IEC publications have the number 60000 added to the old number. For instance, IEC 27-1 has been renumbered as IEC 60027-1. For a period of time during the change over from one numbering system to the other, publications may contain identifiers from both systems.

## Cross-references

Attention is drawn to the fact that CEN and CENELEC standards normally include an annex which lists normative references to international publications with their corresponding European publications. The British Standards which implement these international or European publications may be found in the BSI Standards Catalogue under the section entitled "International Standards Correspondence Index", or by using the "Find" facility of the BSI Standards Electronic Catalogue.

A British Standard does not purport to include all the necessary provisions of a contract. Users of British Standards are responsible for their correct application.

**Compliance with a British Standard does not of itself confer immunity from legal obligations.**

## Summary of pages

This document comprises a front cover, an inside front cover, pages i and ii, the EN title page, pages 2 to 14 and a back cover.

This standard has been updated (see copyright date) and may have had amendments incorporated. This will be indicated in the amendment table on the inside front cover.

## Amendments issued since publication

Amd. No.	Date	Comments

This British Standard, having been prepared under the direction of the Electrotechnical Sector Committee, was published under the authority of the Standards Committee and comes into effect on 15 April 1999

© BSI 02-2000

ISBN 0 580 30601 1

---

# Contents

	Page
National foreword	Inside front cover
Foreword	2
Text of EN 60360	3

---



EUROPEAN STANDARD

EN 60360

NORME EUROPÉENNE

EUROPÄISCHE NORM

August 1998

ICS 29.140.10

Supersedes EN 60360:1989 + A1:1994 + A2:1997

Descriptors: Tungsten filament lamp, lamp cap, temperature rise, test method, test conditions

English version

## Standard method of measurement of lamp cap temperature rise

(IEC 60360:1998)

Méthode normalisée de mesure de  
l'échauffement d'un culot de lampe  
(CEI 60360:1998)

Standardverfahren zur Messung der  
Lampensockel-Übertemperatur  
(IEC 60360:1998)

This European Standard was approved by CENELEC on 1998-08-01. CENELEC members are bound to comply with the CEN/CENELEC Internal Regulations which stipulate the conditions for giving this European Standard the status of a national standard without any alteration.

Up-to-date lists and bibliographical references concerning such national standards may be obtained on application to the Central Secretariat or to any CENELEC member.

This European Standard exists in three official versions (English, French, German). A version in any other language made by translation under the responsibility of a CENELEC member into its own language and notified to the Central Secretariat has the same status as the official versions.

CENELEC members are the national electrotechnical committees of Austria, Belgium, Czech Republic, Denmark, Finland, France, Germany, Greece, Iceland, Ireland, Italy, Luxembourg, Netherlands, Norway, Portugal, Spain, Sweden, Switzerland and United Kingdom.

## CENELEC

European Committee for Electrotechnical Standardization  
Comité Européen de Normalisation Electrotechnique  
Europäisches Komitee für Elektrotechnische Normung

**Central Secretariat: rue de Stassart 35, B-1050 Brussels**

## Foreword

The text of document 34A/814/FDIS, future edition 3 of IEC 60360, prepared by SC 34A, Lamps, of IEC TC 34, Lamps and related equipment, was submitted to the IEC-CENELEC parallel vote and was approved by CENELEC as EN 60360 on 1998-08-01.

This European Standard supersedes EN 60360:1989 and its amendments A1:1994 and A2:1997.

The following dates were fixed:

- latest date by which the EN has to be implemented at national level by publication of an identical national standard or by endorsement (dop) 1999-05-01
- latest date by which the national standards conflicting with the EN have to be withdrawn (dow) 2001-05-01

Annexes designated “normative” are part of the body of the standard.

In this standard, Annex ZA is normative.

Annex ZA has been added by CENELEC.

## Endorsement notice

The text of the International Standard IEC 60360:1998 was approved by CENELEC as a European Standard without any modification.

## Contents

	Page
Foreword	2
Introduction	3
1 General	3
1.1 Scope	3
1.2 Normative reference	3
2 Definitions	3
3 General conditions for measurements	3
4 Test requirements	4
5 Test lampholders	4
6 Supply conductors	5
7 Thermocouple	5
8 Assembly of the lamp and test lampholder in the enclosure	6
9 Measurement of temperature rise	6
Annex ZA (normative) Normative references to international publications with their corresponding European publications	14
Figure 1 — Typical test lampholder parts (ES capped lamp illustrated)	6
Figure 2 — Position of a typical test lampholder and thermocouple (spring not shown)	7
Figure 3 — Approximate dimensions of test lampholder for E14/20 cap	7
Figure 4 — Approximate dimensions of test lampholder for E17/20 cap	8
Figure 5 — Approximate dimensions of test lampholder for E26/50 × 39, E27/51 × 39, E26, E26d and E27	8
Figure 6 — Approximate dimensions of test lampholder for E39 and E40 caps	9
Figure 7 — Approximate dimensions of test lampholder for E14/123 × 15 cap	9
Figure 8 — Approximate dimensions of test lampholder for E14/25 × 17 cap	10
Figure 9 — Approximate dimensions of test lampholder for culot B22/25 × 26 and B22d-3 (90°/135°)/25 × 26 caps	10
Figure 10 — Approximate dimensions of test lampholder for B15d (unskirted) cap	11
Figure 11 — Approximate dimensions of test lampholder for B15d/27 × 22 cap	11
Figure 12 — Approximate dimensions of test lampholder for B15d/24 × 17 cap	12
Figure 13 — Approximate dimensions of test lampholder for B22d/22 cap	12
Figure 14 — Approximate dimensions of test lampholder for E12/15 cap	13

## Introduction

The temperature rise of the lamp cap is, in practice, very dependent on the mounting of the lamp and the condition of the cap. For this reason, it has been necessary to define a method of measurement based on the use of a standard test lampholder. The temperature rise  $\Delta t_s$  measured on the standard test lampholder is taken as the lamp cap temperature rise for the purpose of this standard.

Compared with the measurement of the temperature rise of the bare lamp cap, the measurement of the temperature rise of a standard test lampholder has the following advantages:

- a better approximation to actual operating conditions;
- improved reproducibility, as there is less influence from lamp cap material, finish and surface conditions (which also have little influence on actual operating conditions);
- levelling (or averaging) of the temperatures of various parts of the cap, giving a better overall picture of the heat transferred from the lamp to the luminaire;
- reduced duration of measurements, as the thermocouple is fixed permanently to the test lampholder.

## 1 General

### 1.1 Scope

This International Standard describes the standard method of measurement of lamp cap temperature rise which is to be used when testing tungsten filament or discharge lamps for compliance with the limits. Temperature-rise limits for particular lamp types are, for example, listed in IEC 60432.

It covers the method of test and the specifications for test lampholders for lamps fitted with various sizes of ES and BC caps. This method has been used widely for incandescent lamps but its application is not limited to that kind of lamp.

### 1.2 Normative reference

The following normative document contains provisions which, through reference in this text, constitutes provisions of this International Standard. At the time of publication, the edition indicated was valid. All normative documents are subject to revision, and parties to agreements based on this International Standard are encouraged to investigate the possibility of applying the most recent edition of the normative document indicated below. Members of IEC and ISO maintain registers of currently valid International Standards.

IEC 60432, *Safety specification for incandescent lamps*.

## 2 Definitions

For the purposes of this International Standard, the following definitions apply:

### 2.1

#### temperature rise of cap

surface temperature rise of a standard test lampholder fitted to the lamp cap, when measured under conditions specified in this standard

### 2.2

#### equilibrium temperature ( $t_m$ )

steady-state temperature of a standard test lampholder reached after a sufficient lamp burning time

NOTE The measuring accuracy should be  $\pm 1$  °C.

## 3 General conditions for measurements

### 3.1 Ageing and stabilizing

For these measurements, no previous ageing of the lamp is required. Sufficient stability of the lamp is achieved during the time necessary to reach the equilibrium temperature in the test enclosure.

### 3.2 Supply voltage

- a) For lamps intended to be connected directly to the supply, measurement shall be made at rated voltage, the supply voltage being maintained constant within  $\pm 0,5$  %.
- b) For lamps intended to be connected to the supply through a ballast, measurements shall be made at the rated voltage of the ballast, the supply voltage being maintained constant within  $\pm 0,5$  %. Measurements shall be made using a reference ballast or a production ballast which at the calibration current has an impedance within  $\pm 1$  % of the reference ballast.

If the lamp is marked with a voltage range the test procedure of IEC 60432 shall apply, unless a different procedure is called for in another publication.

### 3.3 Ambient and reference temperatures

The reference temperature for defining cap temperature rise is 25 °C. However, it is possible for the measurements to be made at an ambient temperature ( $t_{amb}$ ) within the range of 15 °C to 40 °C unless otherwise specified in the relevant lamp data sheet; that is, the temperature within the test enclosure, during the measurement cycle, shall remain within this range for the results to be meaningful. A special test enclosure, described in 4.1, is used to maintain the ambient temperature at a sufficiently constant value.

If the temperature in the test enclosure differs from 25 °C, the value  $\Delta t_m$  measured shall be converted to a temperature rise relevant to an ambient of 25 °C in accordance with the following formula:

$$\Delta t_{25} = \Delta t_m + 1/3(t_{amb} - 25) \left( \frac{\Delta t_m}{100} \right)^{1/2}$$

where

$\Delta t_{25}$  is the temperature rise corrected to 25 °C;

$\Delta t_m$  is the difference between the final equilibrium temperature and the ambient temperature,  $t_m - t_{amb}$ ;

$t_{amb}$  is the ambient temperature.

NOTE The above formula is valid for any ambient temperature between 15 °C and 40 °C.

## 4 Test requirements

Temperature measurements shall be made in a draught-free test enclosure.

### 4.1 Test enclosure

The draught-proof enclosure is rectangular, with a double skin on the top and on at least three sides, and with a solid base. The double skins are of perforated metal, spaced apart approximately 150 mm, with regular perforations of 1 mm to 2 mm diameter, occupying about 40 % of the whole area of each skin.

The internal surfaces are painted with a matt paint. The dimensions of the enclosure shall be such that the ambient temperature within the test enclosure will not exceed 40 °C while the test is being run. To achieve this condition, the three principal internal dimensions shall be preferably at least 900 mm. There should be a clearance of at least 200 mm between any part of the lamp and the inside of the enclosure. Alternative constructions for draught-proof enclosures are suitable if it is established that similar test results are obtained.

NOTE For production surveillance conditions, a smaller enclosure of 500 mm × 500 mm × 500 mm may be used, providing the internal ambient temperature does not exceed 40 °C during temperature measurement, the lamp being mounted in the centre of the enclosure.

The internal ambient temperature shall be measured with a thermometer screened from direct radiation from the test lamp. The thermometer is to be placed level with the lamp about halfway between the lamp and the wall.

### 4.2 Suspension methods

The standard measurement position shall be cap-up unless another burning position is specified for the relevant lamp. The suspension of the lamp shall not affect the convection around the lamp in any adverse manner.

#### 4.2.1 Cap-up

The test-lamp, assembled in the test lampholder as described in clause 8, shall be suspended from the top of the enclosure directly by the supply leads.

#### 4.2.2 Cap-down

This position requires a special bulb supporting system attached to the enclosure. This shall consist of three equally spaced points which are intended to support the bulb of the test lamp, assembled in the test lampholder as described in clause 8, in the transition area between the major bulb diameter and the neck.

- The support points shall be at least 5 mm away from the cap.
- The material of the support points shall be a suitable thermal insulating material.
- The area of a point that contacts the lamp bulb should be kept as small as possible to minimize heat loss errors.
- For cap-down suspension of tubular lamps, spring loading of the contact points will be necessary to provide a holding force.

## 5 Test lampholders

### 5.1 General construction

Test lampholders consisting of a metallic sleeve fitted with a thermocouple have been standardized for lamps provided with various types of caps. The various test lampholders shall be as specified in the relevant figures.

Each test lampholder shall have a permanently attached stranded flexible wire which in the case of ES caps and single contact bayonet caps serve as one of the supply leads. A thermocouple shall be permanently attached to the lampholder sleeve (see 7.3). In addition, a spring wire shall be used around the outside of the sleeve to assure good physical contact between the sleeve and the cap of the lamp. Figure 1 shows the general construction features and assembled position of a lampholder for an ES cap. Figure 2 shows supplementary information.

### 5.2 Test lampholder sleeve material specification

#### 5.2.1 Composition

Nickel: 99 % min.

NOTE Examples of the above material may be found in the following standards: Germany, DIN 17750, Werkstoff 2.4068.26; North America, UNS N02201, ASTM B162.



### 5.2.2 Structure and properties

The material shall be finely grained and of regular structure.

Grain size: ASTM 8 min.  
(approximately 0,019 mm max.).

Vickers hardness:  $135 \pm 15$ .

### 5.2.3 Thickness

0,5 mm  $\pm$  0,02 mm.

### 5.2.4 Quality and finish

The material shall be uniform in composition and properties. The strip shall be rolled smooth, with a clean bright surface. It shall be cut straight and be free from kinks, waviness, dents, inclusions, lubricants and other defects.

### 5.3 Spring material specification

Spring steel wire: (under consideration).

Diameter: approximately 0,8 mm.

Length: approximately 1 to 1,5 turns around sleeve.

## 6 Supply conductors

Material: copper.

Size: 0,56 mm<sup>2</sup> to 0,71 mm<sup>2</sup> effective cross-sectional area. (This is equivalent to a diameter range of 0,85 mm to 0,95 mm for solid conductors.)

Length: approximately 110 mm.

When attached to the eyelets of a BC cap or to the centre contact of ES or single contact BC caps, the wire shall be solid and attached by solder.

The stranded wire attached to the test lampholder shall be connected to the neutral of the supply.

## 7 Thermocouple

### 7.1 Materials

The materials recommended for the thermocouple are NiCr/NiAl (Chromel/Alumel) or Fe/Constantan. The size of the wires shall be sufficiently thin so as not to influence the temperature of the test lampholder. The maximum thickness of the wire shall be 200  $\mu$ m. The wires shall be provided with an insulating outer layer (enamel, heat resisting sheathing, etc.).

### 7.2 Junction

The following method is preferred for making the junction of the two thermocouple wires.

After the ends of the wires have been stripped of their insulation, the two wires shall be set on end at an angle of approximately 150° and butt-welded. Any projecting leads are cut off close to the weld and by pulling the wires taut by hand they will form in line at the junction and the welding will automatically flatten.

### 7.3 Attachment to lampholder sleeve

The hot junction of the thermocouple shall be attached to the test lampholder, by means of a minimum of solder, so that it is in direct mechanical contact. The junction shall be located diametrically opposite the lampholder slit, 1 mm to 2 mm from the edge as indicated in the relevant figure. See Figure 1 to Figure 14. The use of a cement at the hot junction is deprecated. The wires shall be insulated right up to the junction. The two leads are then stretched parallel to the edge along the lampholder over at least 20 mm (if feasible), at which point the leads are secured with the minimum of cement (see notes 1 and 2).

NOTE 1 For B15 and smaller size test holders, a compromise of the minimum lead stretching distance should be made to avoid placing the leads and cement joints too close to the lampholder slit.

NOTE 2 Suitable cement composition comprises one part by weight of sodium silicate and two parts by weight of powdered talc.

### 7.4 Equipment

The temperature or millivolt indicating equipment shall be calibrated to be accurate within  $\pm 0,5$  %.

### 7.5 Calibration

The thermocouple shall be calibrated at fixed points; namely, the boiling point of water and the solidification point of tin, lead and zinc.

NOTE If it is desired to calibrate the thermocouple after it has been mounted on the sleeve, only the boiling point of water should be used (in order to avoid melting the solder).

## 8 Assembly of the lamp and the test lampholder in the enclosure

The test lampholder shall be pushed up to the rim of the cap of the lamp to be tested. See Figure 1 for the typical relationship of the lampholder and lamp.

For screw caps, the orientation of the lampholder with respect to the cap is determined by the side solder.

Special instructions apply for the assembly of test lampholders on to various skirted caps.

- For the medium size skirted caps, such as E27/51 × 39, the rim of the lampholder sleeve shall be located in the same plane as the borderline of the screw shell and the insulation between the shell and the skirt.
- For E14 skirted caps special test lampholders shall be used. These lampholders shall be installed on the skirt with the rim of the lampholder sleeve located at the rim of the skirt.

For bayonet caps, two circumferential positions of the test lampholder with respect to the cap are possible; measurements shall be made with the thermocouple junction as near as possible to the filament.

It is important that the lamp is placed approximately in the centre of the enclosure with its axis as near to vertical as possible.

For cap-up measurement, it is recommended that an arrangement adjustable in the vertical direction and mounted on the ceiling of the enclosure be used for the supply leads (see 4.2.1).

For cap-down measurement, a special fixture shall be used (see 4.2.2).

## 9 Measurement of temperature rise

The minimum burning time for each lamp before measurement shall be 30 min. The operator may then take a series of preliminary measurements to verify that the temperature is no longer rising.

When the equilibrium temperature has been reached, the test lampholder temperature and the ambient temperature are read and recorded. The measurement results for individual lamps shall be rounded off to the nearest degree centigrade. Then a calculation of cap temperature rise shall be made, using the corrective equation of 3.3 if necessary.

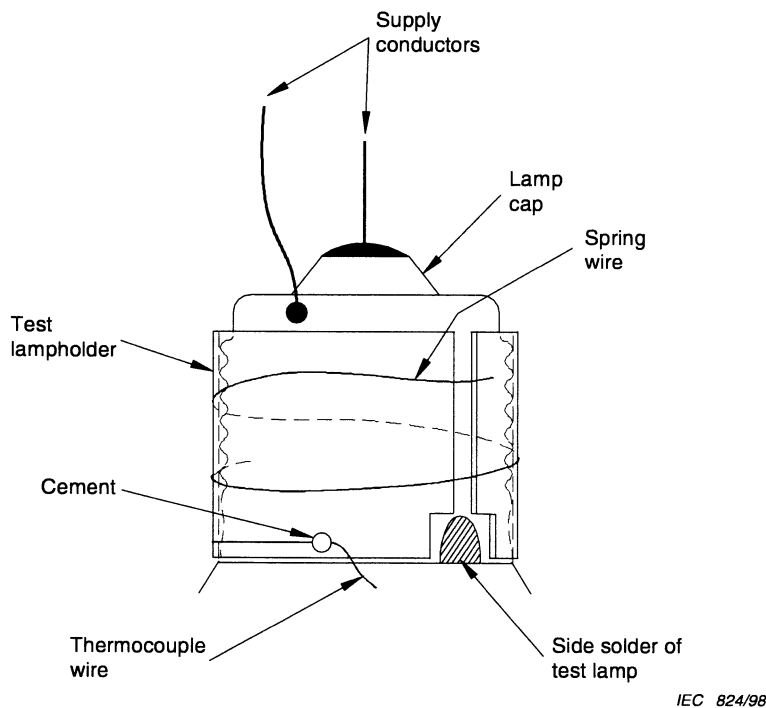
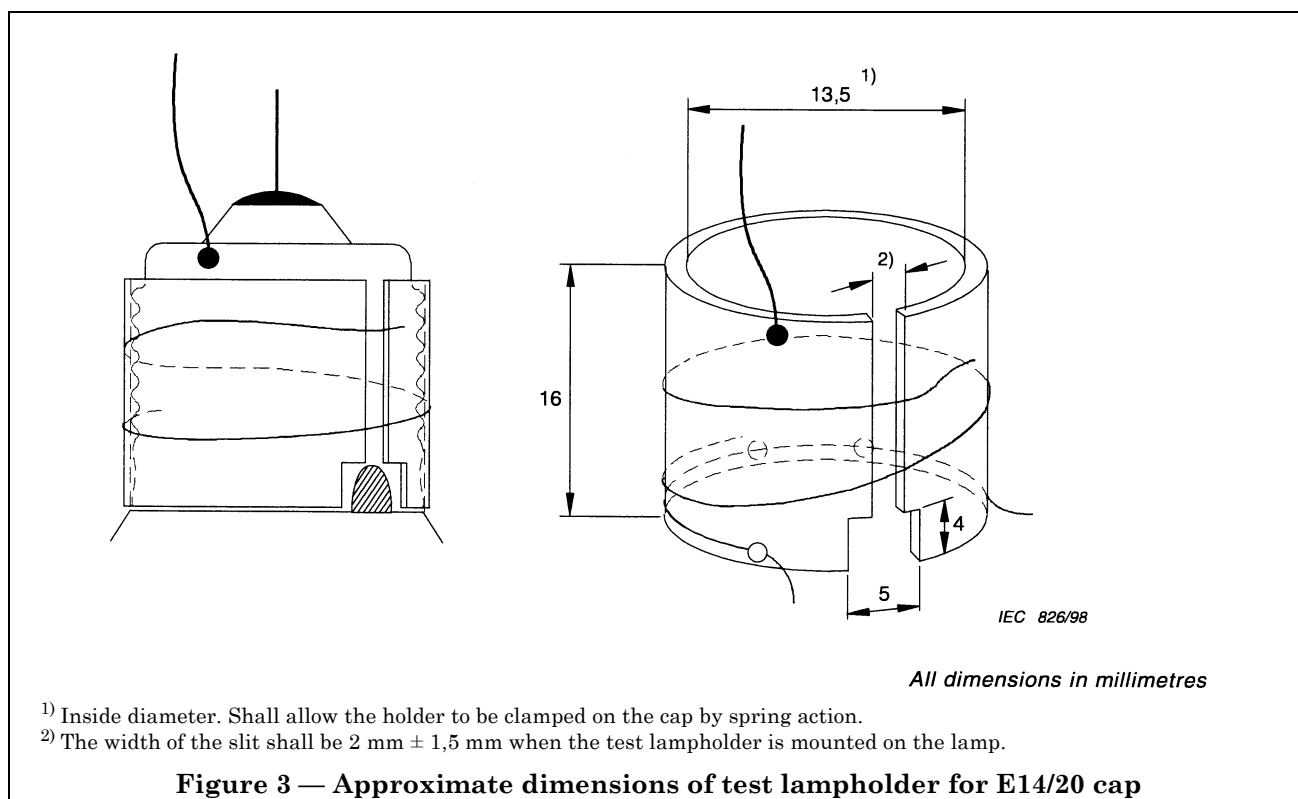
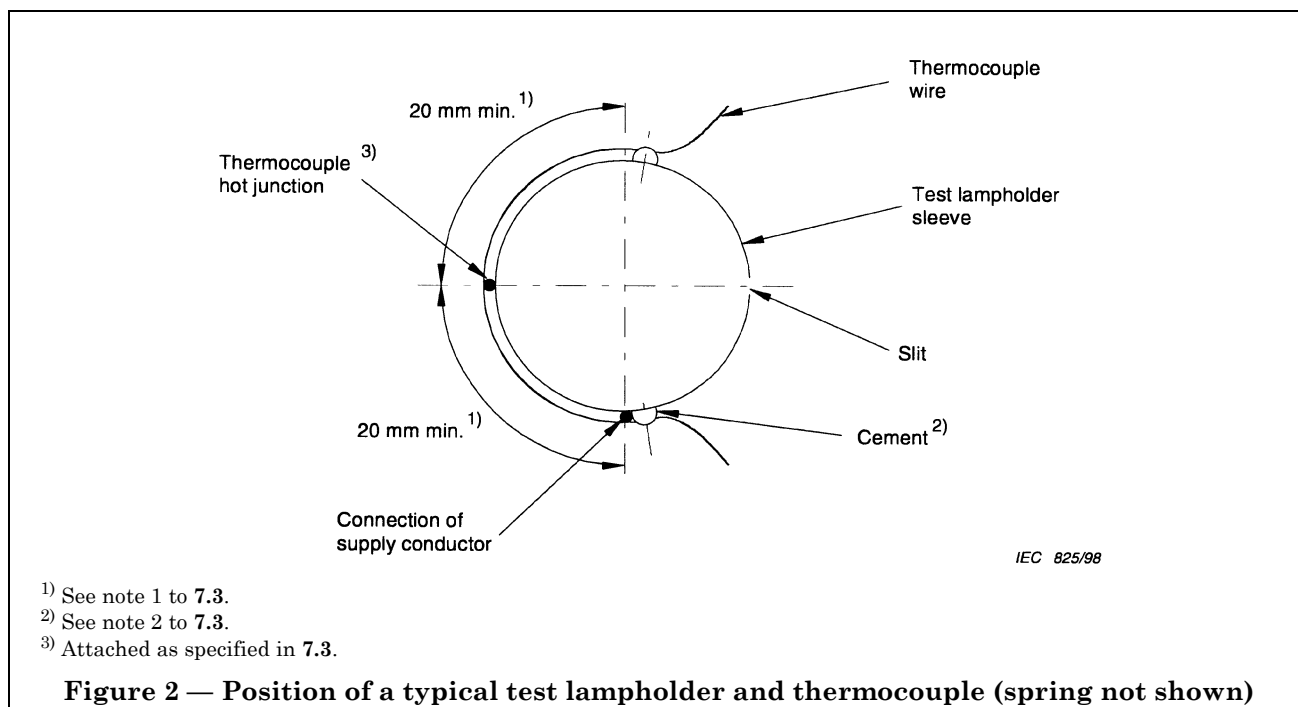
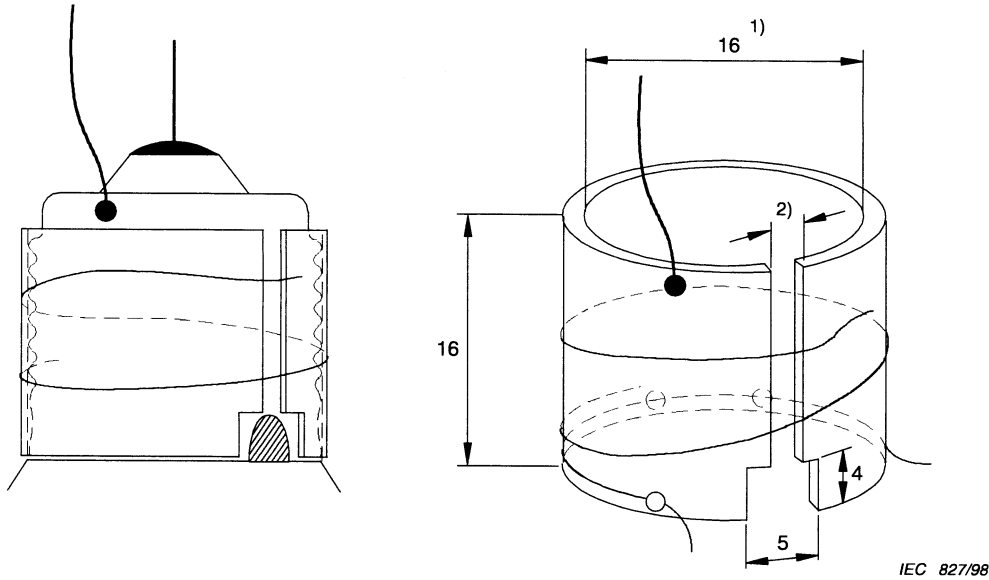


Figure 1 — Typical test lampholder parts (ES capped lamp illustrated)



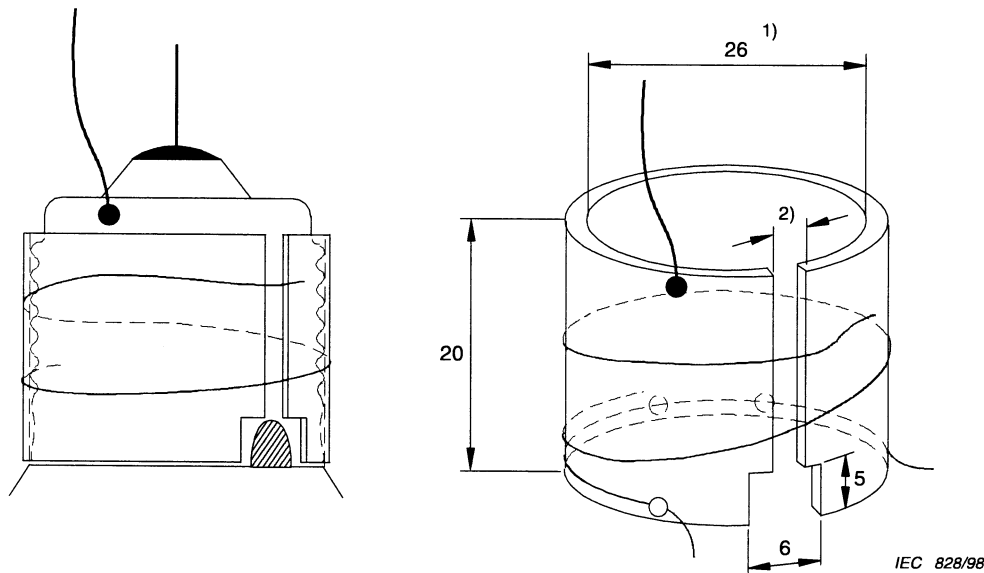


IEC 827/98

All dimensions in millimetres

- 1) Inside diameter. Shall allow the holder to be clamped on the cap by spring action.
- 2) The width of the slit shall be  $2\text{ mm} \pm 1,5\text{ mm}$  when the test lampholder is mounted on the lamp.

**Figure 4 — Approximate dimensions of test lampholder for E17/20 cap**

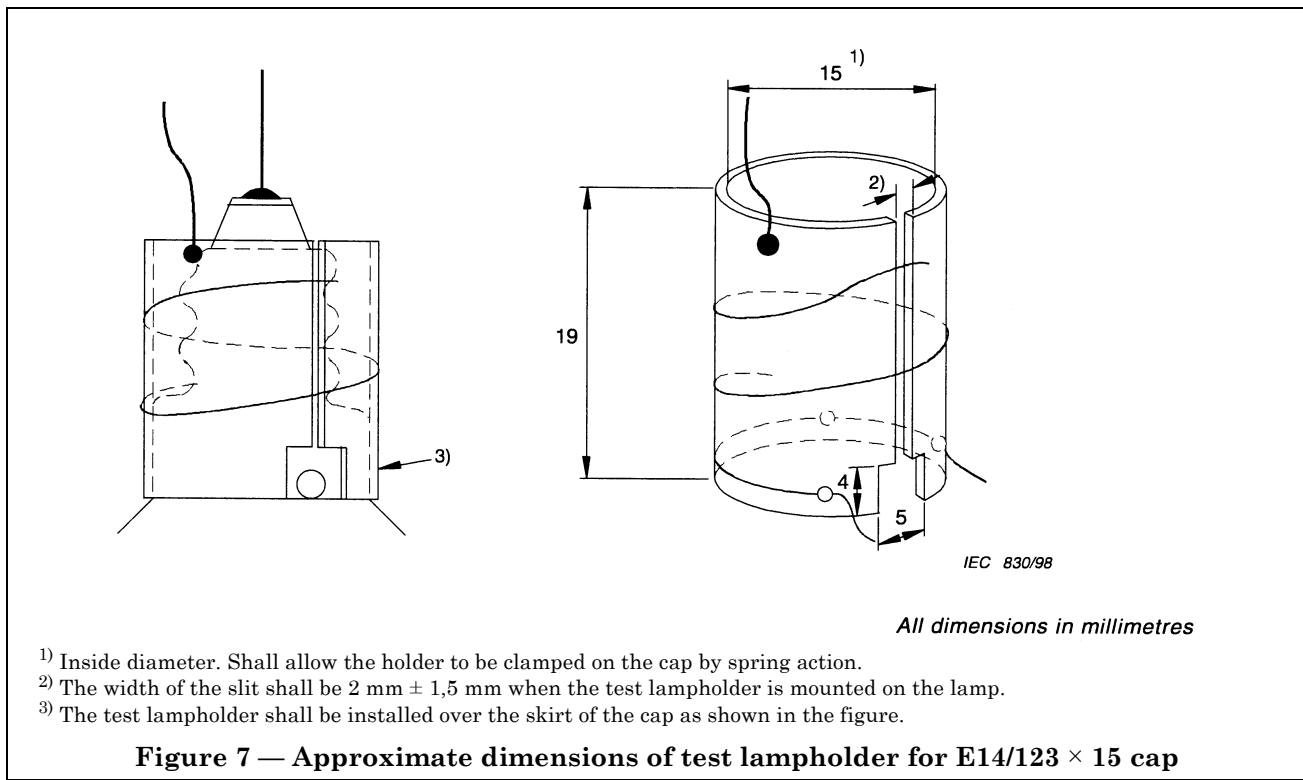
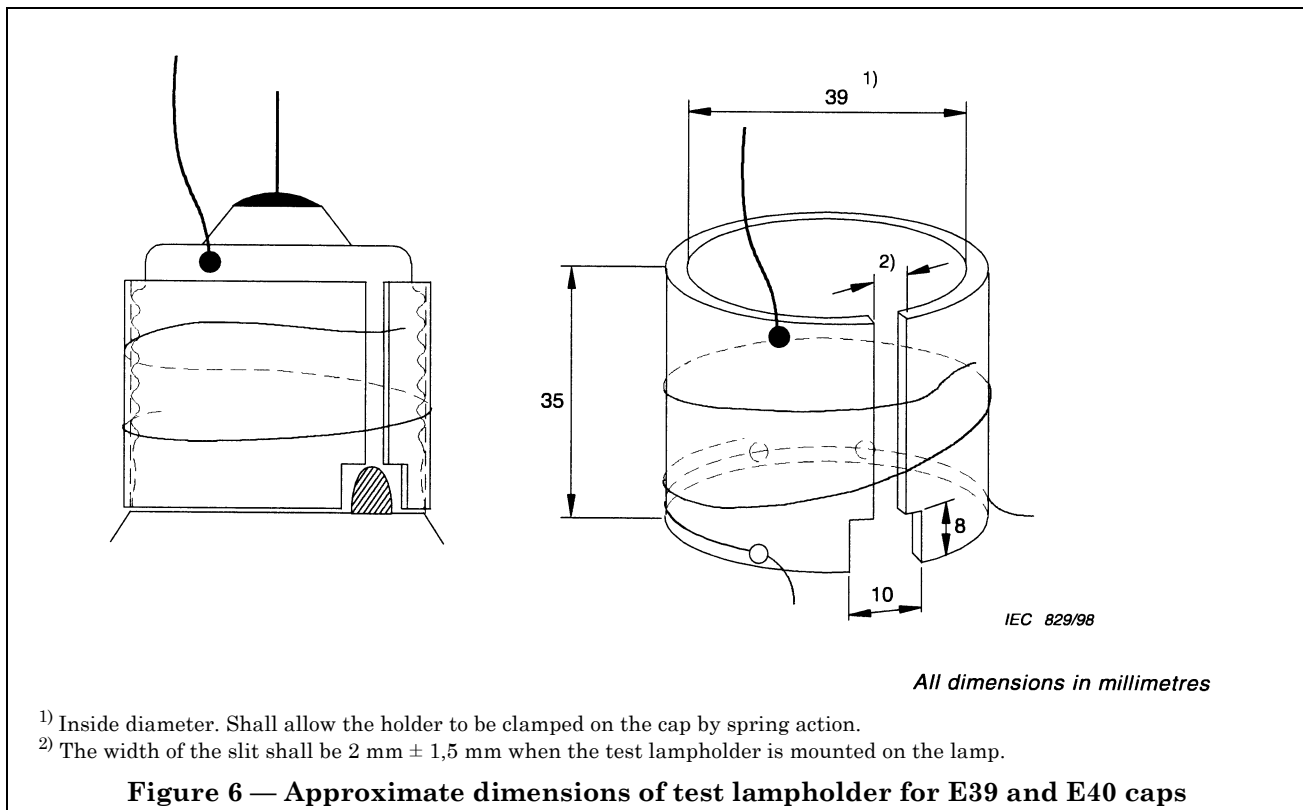


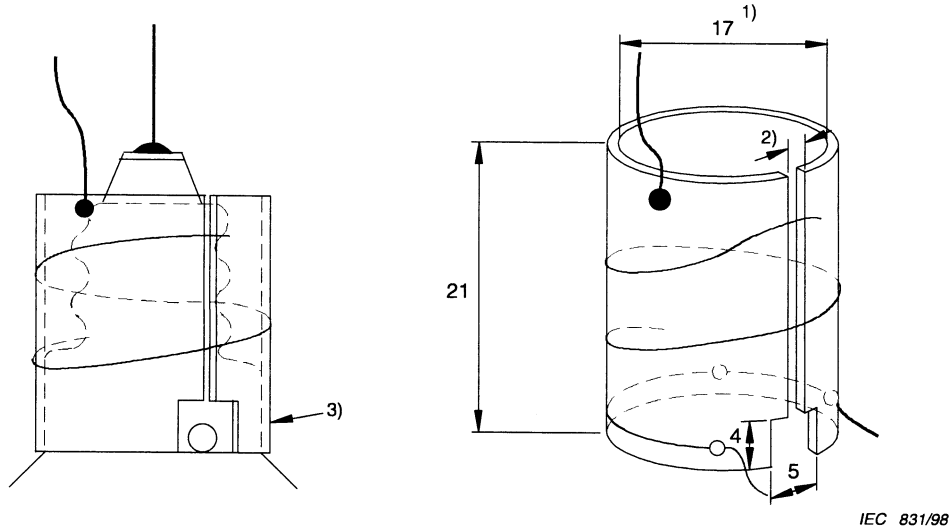
IEC 828/98

All dimensions in millimetres

- 1) Inside diameter. Shall allow the holder to be clamped on the cap by spring action.
- 2) The width of the slit shall be  $2\text{ mm} \pm 1,5\text{ mm}$  when the test lampholder is mounted on the lamp.

**Figure 5 — Approximate dimensions of test lampholder for E26/50 × 39, E27/51 × 39, E26, E26d and E27**

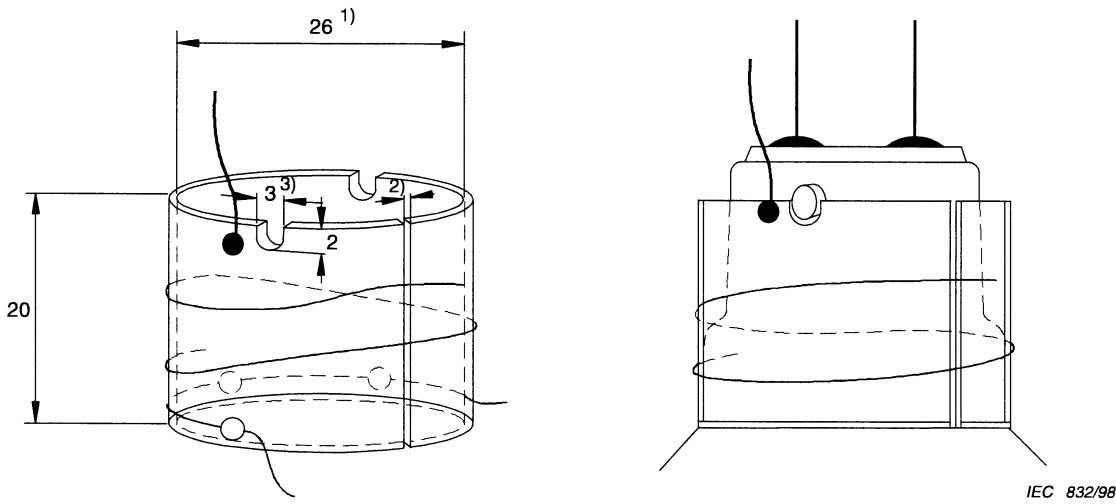




All dimensions in millimetres

- 1) Inside diameter. Shall allow the holder to be clamped on the cap by spring action.
- 2) The width of the slit shall be  $2\text{ mm} \pm 1,5\text{ mm}$  when the test lampholder is mounted on the lamp.
- 3) The test lampholder shall be installed over the skirt of the cap as shown in the figure.

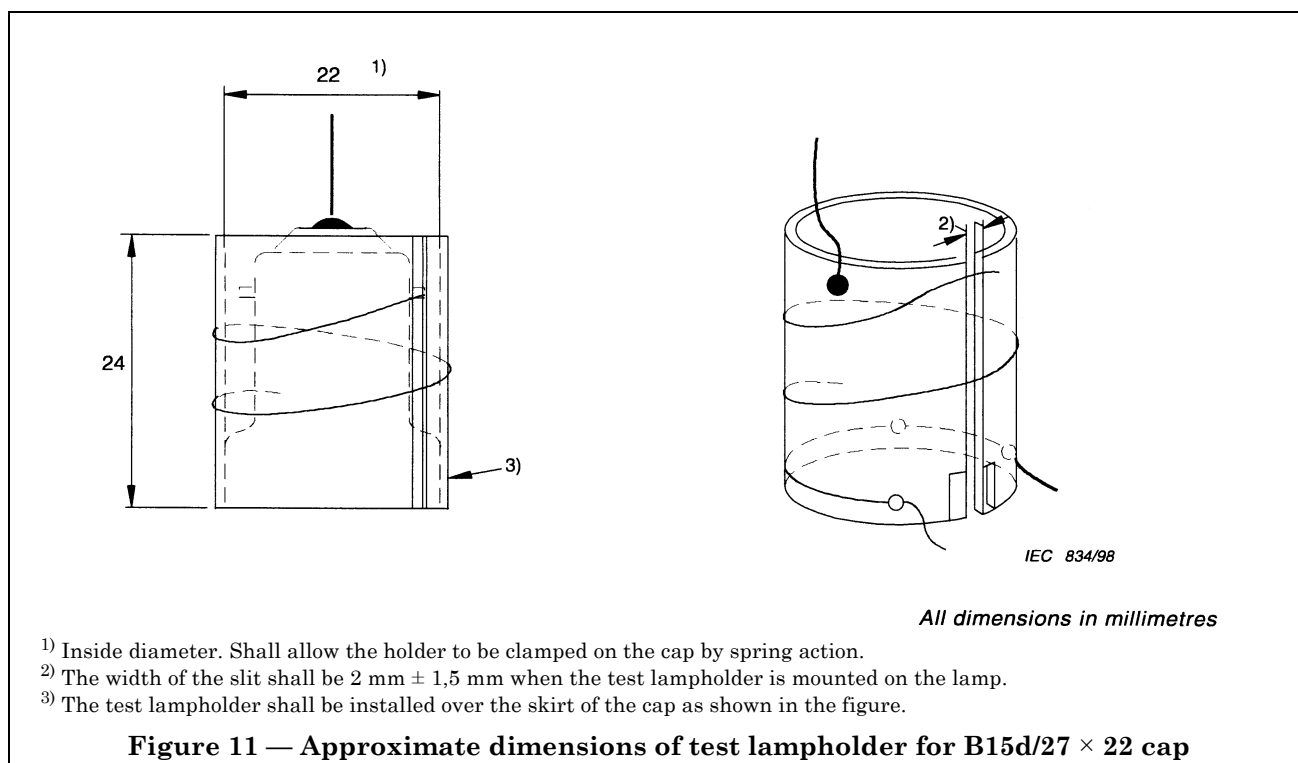
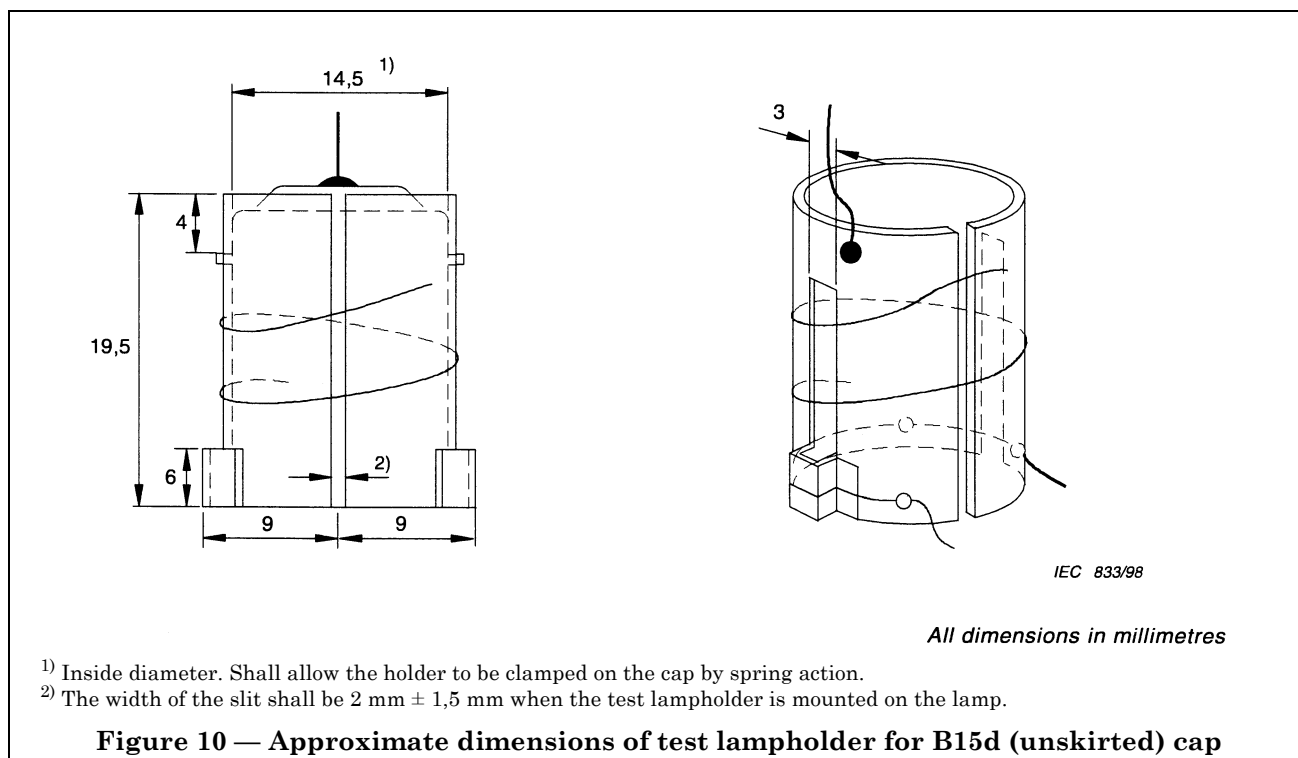
**Figure 8 — Approximate dimensions of test lampholder for E14/25 × 17 cap**

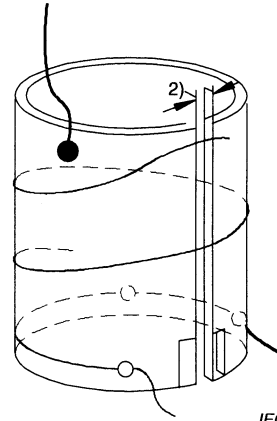
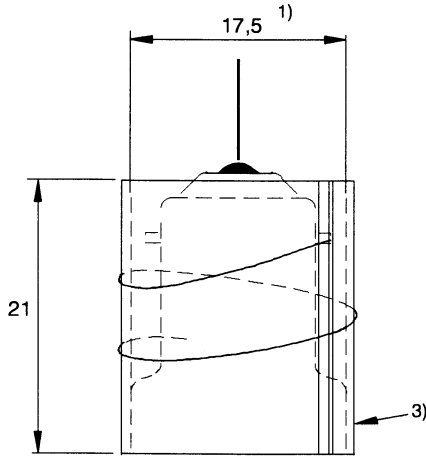


All dimensions in millimetres

- 1) Inside diameter. Shall allow the holder to be clamped on the cap by spring action.
- 2) The width of the slit shall be  $2\text{ mm} \pm 1,5\text{ mm}$  when the test lampholder is mounted on the lamp.
- 3) The slots for the bayonet pins fall on one of the orthogonal centrelines shown in Figure 2. Therefore it will be necessary to locate the connection of the supply line off centre, slightly toward the thermocouple hot junction.
- 4) The test lampholder shall be installed over the skirt of the cap as shown in the figure.

**Figure 9 — Approximate dimensions of test lampholder for culot B22/25 × 26 and B22d-3 (90°/135°)/25 × 26 caps**



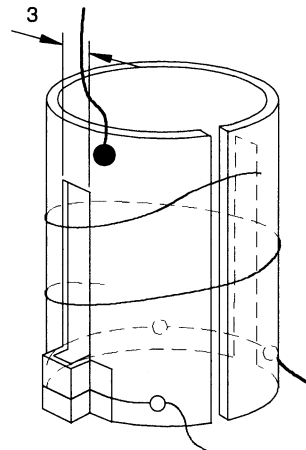
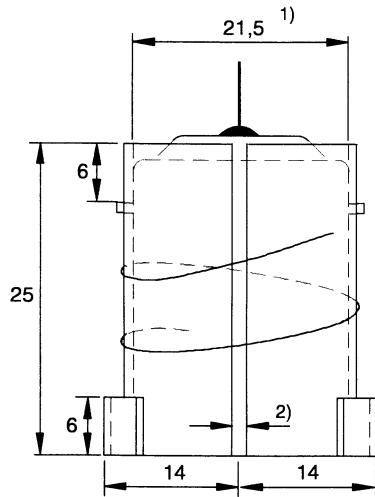


IEC 835/98

All dimensions in millimetres

- 1) Inside diameter. Shall allow the holder to be clamped on the cap by spring action.
- 2) The width of the slit shall be  $2 \text{ mm} \pm 1,5 \text{ mm}$  when the test lampholder is mounted on the lamp.
- 3) The test lampholder shall be installed over the skirt of the cap as shown in the figure.

**Figure 12 — Approximate dimensions of test lampholder for B15d/24 × 17 cap**



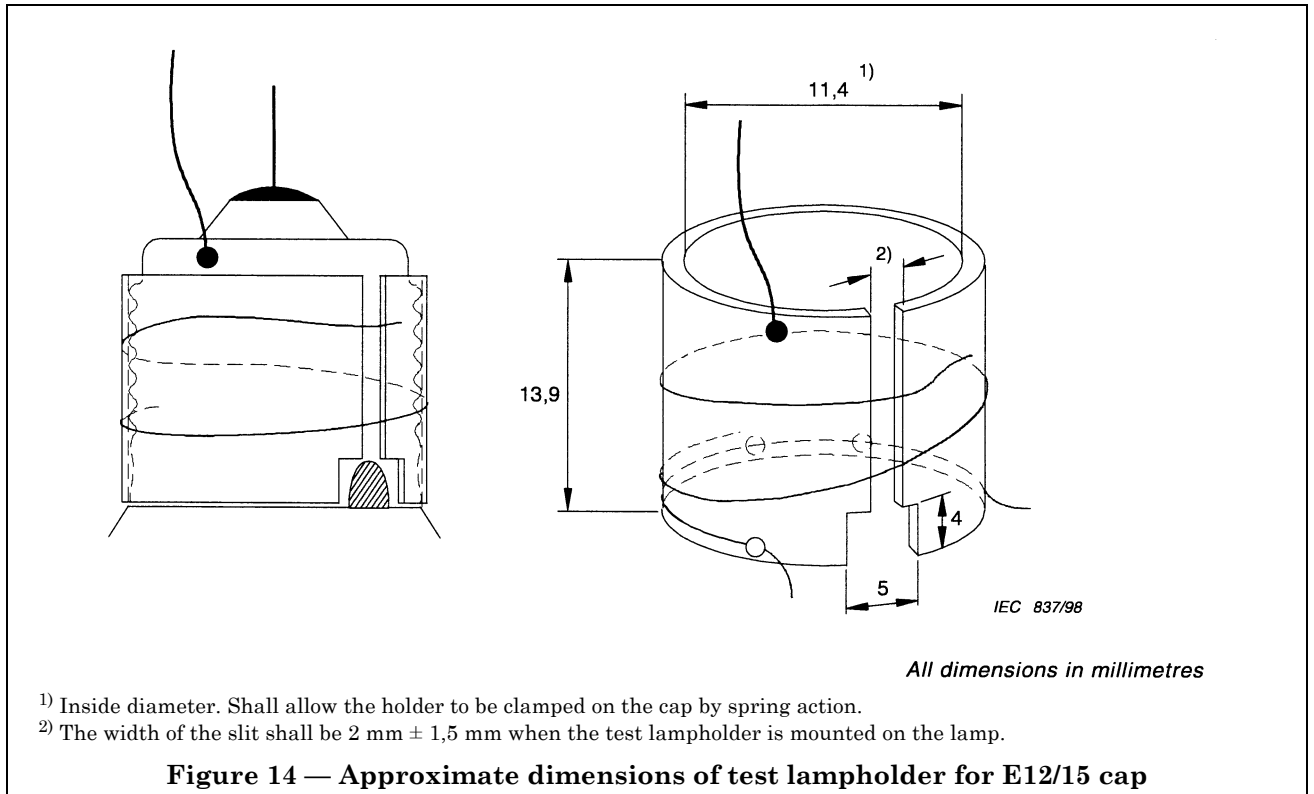
IEC 836/98

All dimensions in millimetres

- 1) Inside diameter. Shall allow the holder to be clamped on the cap by spring action.
- 2) The width of the slit shall be  $2 \text{ mm} \pm 1,5 \text{ mm}$  when the test lampholder is mounted on the lamp.

**Figure 13 — Approximate dimensions of test lampholder for B22d/22 cap**





**Annex ZA (normative)****Normative references to international publications with their corresponding European publications**

This European Standard incorporates by dated or undated reference, provisions from other publications. These normative references are cited at the appropriate places in the text and the publications are listed hereafter. For dated references, subsequent amendments to or revisions of any of these publications apply to this European Standard only when incorporated in it by amendment or revision. For undated references the latest edition of the publication referred to applies (including amendments).

NOTE When an international publication has been modified by common modifications, indicated by (mod), the relevant EN/HD applies.

Publication	Year	Title	EN/HD	Year
IEC 60432	series	<i>Safety specifications for incandescent lamps</i>	EN 60432	series



---

---

# **BSI — British Standards Institution**

BSI is the independent national body responsible for preparing British Standards. It presents the UK view on standards in Europe and at the international level. It is incorporated by Royal Charter.

## **Revisions**

British Standards are updated by amendment or revision. Users of British Standards should make sure that they possess the latest amendments or editions.

It is the constant aim of BSI to improve the quality of our products and services. We would be grateful if anyone finding an inaccuracy or ambiguity while using this British Standard would inform the Secretary of the technical committee responsible, the identity of which can be found on the inside front cover. Tel: 020 8996 9000. Fax: 020 8996 7400.

BSI offers members an individual updating service called PLUS which ensures that subscribers automatically receive the latest editions of standards.

## **Buying standards**

Orders for all BSI, international and foreign standards publications should be addressed to Customer Services. Tel: 020 8996 9001. Fax: 020 8996 7001.

In response to orders for international standards, it is BSI policy to supply the BSI implementation of those that have been published as British Standards, unless otherwise requested.

## **Information on standards**

BSI provides a wide range of information on national, European and international standards through its Library and its Technical Help to Exporters Service. Various BSI electronic information services are also available which give details on all its products and services. Contact the Information Centre. Tel: 020 8996 7111. Fax: 020 8996 7048.

Subscribing members of BSI are kept up to date with standards developments and receive substantial discounts on the purchase price of standards. For details of these and other benefits contact Membership Administration. Tel: 020 8996 7002. Fax: 020 8996 7001.

## **Copyright**

Copyright subsists in all BSI publications. BSI also holds the copyright, in the UK, of the publications of the international standardization bodies. Except as permitted under the Copyright, Designs and Patents Act 1988 no extract may be reproduced, stored in a retrieval system or transmitted in any form or by any means – electronic, photocopying, recording or otherwise – without prior written permission from BSI.

This does not preclude the free use, in the course of implementing the standard, of necessary details such as symbols, and size, type or grade designations. If these details are to be used for any other purpose than implementation then the prior written permission of BSI must be obtained.

If permission is granted, the terms may include royalty payments or a licensing agreement. Details and advice can be obtained from the Copyright Manager. Tel: 020 8996 7070.