



Dielectric Strength Test Instrument of IEC60065

Specification: Standard: IEC60065 figure 6, UL1310.

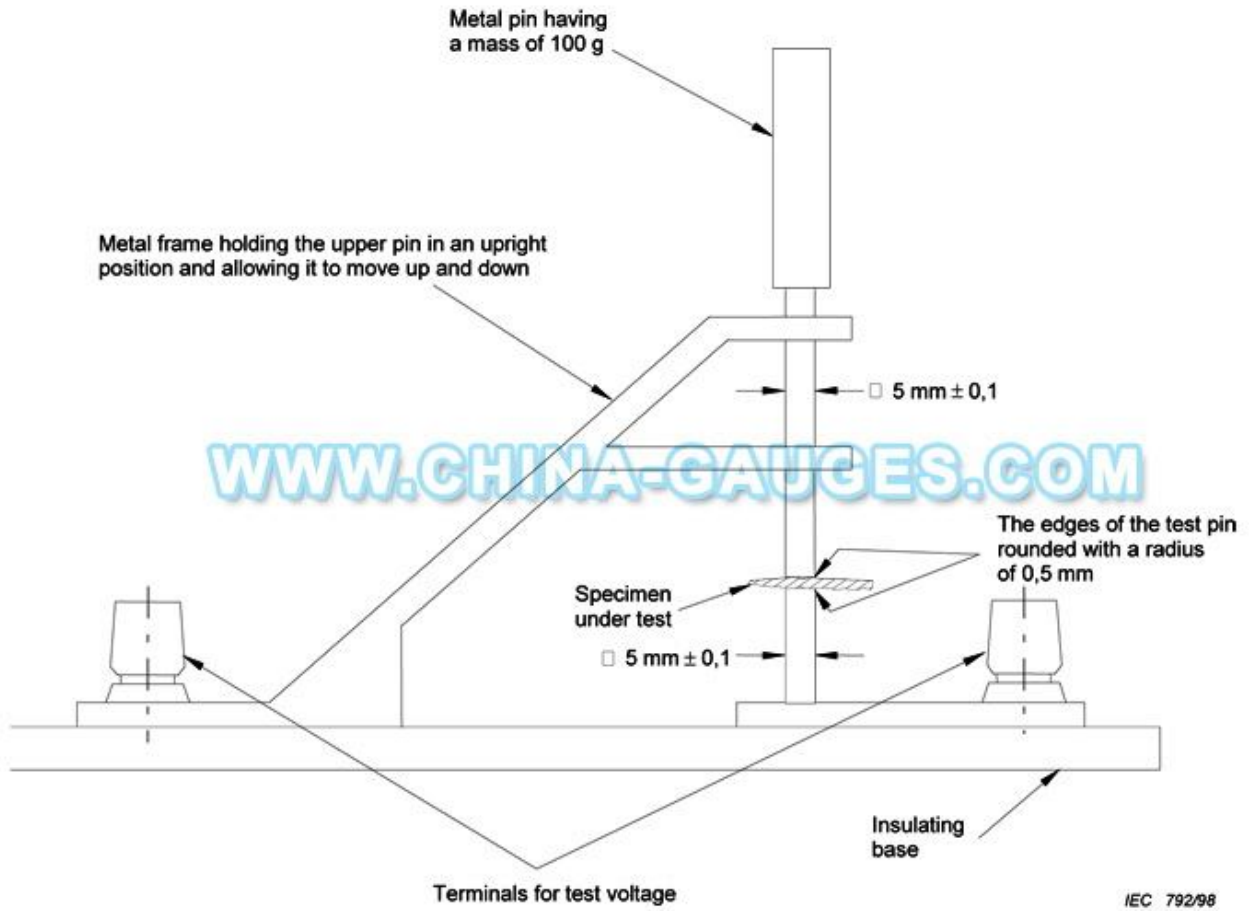
Application:

It is mainly used for thin-layer insulation material electric strength. Fixture have two sizes: Ø5mm 100g and Ø6.35mm 50g. For different test samples should be take different metal bar and test bar. This equipment is equipped with two kinds of different quality of metal bar, 100 grams, 50 grams of each one.

Features:

To improve the insulation board and creepage dielectric properties, surface brushed polished the minimum bracket the minimum distance from the edge of > 35mm, the altitude of 2000 meters designed to meet the strength test requirements of 12 KV.

Note: It needs to be used together with Hipot Tester.



NOTE See 10.3.2.

Figure 6 – Dielectric strength test instrument