

SASO IEC 60335-2-6

**HOUSEHOLD AND SIMILAR ELECTRICAL APPLIANCES-
SAFETY –**

**PART 2 - 6: PARTICULAR REQUIREMENTS FOR
STATIONARY COOKING RANGES, HOPS, OVENS
AND SIMILAR APPLIANCES**

Date of SASO Board of Directors Approval : 1433(H)– – (2012– –)
Date of Publication in the Official Gazette : 1433(H)– – (2012– –)
Date of Enforcement of this Standard : 1433(H)– – (2012– –)

CONTENTS

FOREWORD	4
INTRODUCTION	Error! Bookmark not defined.
1 Scope	Error! Bookmark not defined.
2 Normative references	8
3 Definitions.....	8
4 General requirement	16
5 General conditions for the tests	16
6 Classification	17
7 Marking and instructions.....	17
8 Protection against access to live parts	24
9 Starting of motor-operated appliances	24
10 Power input and current	25
11 Heating.....	25
12 Void.....	34
13 Leakage current and electric strength at operating temperature	34
14 Transient overvoltages	36
15 Moisture resistance	36
16 Leakage current and electric strength	39
17 Overload protection of transformers and associated circuits	41
18 Endurance	41
19 Abnormal operation	41
20 Stability and mechanical hazards.....	45
21 Mechanical strength	47
22 Construction	51
23 Internal wiring	61
24 Components	61
25 Supply connection and external flexible cords	63

26 Terminals for external conductors 63

27 Provision for earthing 64

28 Screws and connections 64

29 Clearances, creepage distances and solid insulation 64

30 Resistance to heat and fire 64

31 Resistance to rusting..... 65

32 Radiation, toxicity and similar hazards 65

Figure 101 - Vessel for testing hob elements 67

Figure 102 - Vessel for testing induction hob elements68

Figure 103 - Load for testing rotating spits 69

Figure 104 - Probe for measuring surface temperature.....70

Annexes..... 71

Bibliography71

Annex AAA (normative) National Modifications..... 72

 AAA/1 National Modifications for the Values of the Rated
 Voltages and Frequencies 72

 AAA/2 National Modifications for Electric Cooking Ranges 74

FOREWORD

The Saudi Standards and Quality Organization (SASO) has adopted the international standard IEC 60335-2-6 Ed 5.2/2008 "Household and Similar Electrical Appliances – Safety - Part 2-6: Particular requirements for stationary cooking ranges, hobs, ovens and similar appliances", issued by the International Electrotechnical Commission (IEC). The text of this international standard has been translated into Arabic to be approved as a Saudi standard without introducing any alterations.

Annex "A A A" given at the end of this Standard lists the National Modifications for the Values of the Rated Voltages and Frequencies (Clause AAA/1) and the National Modifications derived from SASO 1236/1998 "Electric Cooking Ranges" and SASO 1237/1998 "Testing Methods for Electric Cooking Ranges" (Clause AAA/2) to be made on both Arabic and English Versions of this adopted SASO Standard, which is referred to in this Annex as "First Section". After the approval of this Standard, it will replace the mentioned two SASO Standards in addition to SASO 2370/2005 and GSO IEC 60335-2-6/2009.

Note: On implementing this Saudi Standard, the Saudi Standards corresponding to the International Standards, if any, mentioned in this adopted Saudi Standard shall be taken into consideration.

Introduction

The Saudi Arabian Standards Organization (SASO) has adopted the International Standard 60335-1/2001 " Household and Similar Electrical Appliances – Safety – Part 1: General Requirements", together with its Amendments 1/2004 and No. 2/2006 and approved as Saudi Standard SASO 1062/2007. SASO has also issued a number of standards each of which is concerned with the requirements of a particular electrical appliance and among which is IEC 60335-2-6/2002 "Household and Similar Electrical Appliances – Safety - Part 2-6: Particular requirements for stationary cooking ranges, hobs, ovens and similar appliances" including its amendments No.1/2004 and No. 2/2008.

In order to apply this Saudi Standard, it should be read in conjunction with SASO 1062/2007 because the Clause numbers herein are the same as those of Part 1. If a Clause in Part 1 is not applicable to this standard, the Clause number is included herein but with the words "Not applicable". And if a Clause in Part 1 has been replaced by new text to suit this standard, the Clause number herein is followed by the word "Replacement" and the new text of this Clause then follows on the next line. And if any addition has been added to this standard, the Clause number herein is followed by the word "Addition" and the new addition then follows on the next line. And if any modification has been done on a Clause of Part 1, the Clause number herein is followed by the word "Modification" and the modified text then follows on the next line. In case of introducing new Sub-clause, they should take the Clause number of Part 1 followed by the divisions 101, 102, ... etc. In case of introducing new Figures, they should take the numerals 101, 102, ... etc. In case of introducing new Annexes and/or Figures for the Annexes, they should take the numerals AA, BB, etc.

SASO reviews also the Saudi Standards adopted from the corresponding International Standards in order to know to which extent they are appropriate to the conditions of the Kingdom. When SASO assures that there is a necessity to carry out Deletion (or not applicable) and/or Replacement and/or Addition and/or Modification, etc. on any Clause and/or Sub-clause of the adopted Standard, SASO will list these in an **Annex of the National Modifications** which will be added at the end of the relevant Standard.

HOUSEHOLD AND SIMILAR ELECTRICAL APPLIANCES- SAFETY – PART 2-6: PARTICULAR REQUIREMENTS FOR COOKING RANGES, HOPS, OVENS AND SIMILAR APPLIANCES

1 Scope

This clause of Part 1 is replaced by the following:

This International Standard deals with the safety of **stationary electric cooking ranges, hobs, ovens** and similar appliances for household use, their **rated voltage** being not more than 250 V for single-phase appliances connected between one phase and neutral, and 480 V for other appliances.

NOTE 101 Examples of appliances that are within the scope of this standard are

- **Griddles;**
- **Grills;**
- **Induction hobs;**
- **Induction wok elements;**
- **Pyrolytic self-cleaning ovens;**
- **Steam ovens.**

As far as is practicable, this standard deals with the common hazards presented by appliances that are encountered by all persons in and around the home. However, in general, it does not take into account

- Persons (including children) whose
 - Physical, sensory or mental capabilities; or
 - Lack of experience and knowledge

prevents them from using the appliance safely without supervision or instruction;

- Children playing with the appliance.

NOTE 102 Attention is drawn to the fact that

- for appliances intended to be used in vehicles or on board ships or aircraft, additional requirements may be necessary;
- in many countries additional requirements are specified by the national health authorities, the national authorities responsible for the protection of labour, the national water supply authorities and similar authorities.

NOTE 103 This standard does not apply to

- Appliances intended for commercial catering;
- Appliances intended to be used in locations where special conditions

prevail, such as the presence of a corrosive or explosive atmosphere

(dust, vapour or gas);

- Grills, toasters and similar portable cooking appliances (IEC 60335-2-9);
- Microwave ovens (IEC 60335-2-25).

2 Normative references

This clause of Part is applicable except as follows:

Addition:

IEC 60584-1, Thermocouples – Part 1: Reference tables

ISO 15717:1998, Kitchen equipment – Safety requirements and test methods for kitchen cabinets and work tops

3 Definitions

This clause of Part 1 is applicable except as follows.

3.1.6 Addition:

NOTE 101 For appliances having more than three **heating units** per phase, a diversity factor is applied to the **rated current** or **rated power input** when determining the current used to establish the size of the terminals and the nominal cross-sectional area of the **supply cord**. The diversity factor F is calculated from the following formula, where N is the number of **heating units** per phase that can be energized together:

$$F = 0,35 + \frac{0,65}{\sqrt{N}}$$

3.1.9 Replacement:

normal operation

Operation of the appliance as specified in 3.1.9.101 to 3.1.9.107

3.1.9.101 Hob elements, other than **induction hob elements** and **induction wok elements**, are operated with vessels containing cold water. The vessel is made of unpolished commercial quality aluminium, has a flat bottom and is covered with a lid. Thermal controls are adjusted to their highest setting until the water boils and then adjusted so that the water boils gently. Water is added to maintain the level during boiling.

NOTE 1 The lid is positioned so that steam does not affect the test.

In case of doubt, vessels as specified in Figure 101 are used.

Induction hob elements are operated with vessels as specified in Figure 102 that contain cooking oil at room temperature. Thermal controls are adjusted to their highest setting until the oil temperature reaches $180\text{ °C} \pm 4\text{ °C}$ and then adjusted so that this temperature is maintained. The oil temperature is measured 10 mm above the centre of the bottom of the vessel.

Induction wok elements are operated with a wok having an equivalent sphere diameter that does not differ from the equivalent sphere diameter of the **induction wok element** cavity by more than

$\begin{matrix} 0 \\ -1 \end{matrix} \%$.

The wok is made of low carbon steel having a maximum carbon content of 0,08 %. The wok is filled to approximately half of its height with cooking oil at room temperature. Thermal controls are adjusted to their highest setting until the oil temperature reaches $180\text{ }^{\circ}\text{C} \pm 4\text{ }^{\circ}\text{C}$ and then adjusted so that this temperature is maintained. The oil temperature is measured 10 mm above the centre of the bottom of the vessel.

For all **hob elements** other than **induction wok elements**, the diameter of the bottom of the vessel is approximately equal to the diameter of the **cooking zone** and the quantity of liquid is specified in Table 101. The vessel is positioned centrally on the **cooking zone**.

NOTE 2 If several **cooking zones** are marked for one **hob element**, the most unfavourable zone is used for the test.

NOTE 3 For non-circular **cooking zones**, the smallest non-circular vessel is used which will cover the **cooking zone** as far as possible, taking into account the **hob** rim and the other vessels. The quantity of liquid is determined on the basis of the minor diameter of the **cooking zone**.

Table 101

Quantity of liquid in the vessel

Diameter of cooking zone Mm	Quantity of water or oil l
≤ 110	0,6
> 110 and ≤ 145	1,0

> 145 and ≤ 180	1,5
> 180 and ≤ 220	2,0
> 220 and ≤ 300	3,0

3.1.9.102 Ovens are operated empty with the door closed. Thermal controls are adjusted so that the mean temperature in the centre of the **oven** is maintained at

220 °C ± 4 °C for **ovens** with forced air circulation;

240 °C ± 4 °C for other **ovens**.

NOTE If the temperature cannot be attained, the thermal control is adjusted to its highest setting.

Ovens without thermal controls are switched on and off so that the temperature in the centre of the **oven** is maintained at 240 °C ± 15 °C.

Steam ovens are operated in accordance with the instructions.

Controls are adjusted to their highest setting until the cooking temperature is reached and then adjusted to the lowest setting that maintains this temperature.

Steam generators intended to be filled by hand are filled according to the instructions, water being added to maintain the steam generation.

Steam generators intended to be filled automatically are connected to

a water supply, the pressure of which is set according to the instructions.

The supply water has a temperature of

15 °C ± 5 °C for appliances to be connected to a cold water supply;

60 °C ± 5 °C or the temperature indicated in the instructions, whichever is the higher, for appliances to be connected to a hot water supply.

Steam ovens are also operated while generating steam but with the thermal controls adjusted as for operation without steam.

3.1.9.103 Grills are operated empty with the grill pan and food supports in the most unfavourable position for normal use, the door and any other accessories being positioned in accordance with the instructions. In the absence of such instructions, the door and other accessories are placed in the most unfavourable position in which they may be left. Thermal controls are adjusted to their highest setting. However, if the instructions for **grills** incorporated in **ovens** specify a lower setting, this setting is used. Any reflectors intended to be placed above heating elements are in position.

3.1.9.104 Rotating spits in **ovens** or **grills** are operated with the load on the rotating spit as shown in Figure 103. The appliance is operated taking into account the instructions with regard to

- the heating elements to be operated;

- the setting of the thermal control;
- the position of the door and grill pan.

In the absence of such instructions, the control is adjusted to its highest setting and the door is fully open or is placed in the most unfavourable intermediate position in which it may be left.

Any grill pan is placed in its lowest position.

3.1.9.105 Warming drawers and similar compartments are operated in the closed position with their controls adjusted to the highest setting.

3.1.9.106 Griddles are operated so that the temperature at the centre of the heated surface is maintained at $275\text{ °C} \pm 15\text{ °C}$ by adjusting their thermal controls or by switching the supply on or off.

3.1.9.107 Cooking ranges are operated with their individual **heating units** being operated under their stated conditions of **normal operation**.

3.101 Oven

Appliance having a heated cavity with a door and constructed so that food, which may be in a container, can be placed on a shelf

3.102 Grill

Heating unit constructed so that the food is supported on a grid or spit and is cooked by radiant heat

NOTE The cooking operation in a **grill** is known as grilling or broiling

3.103 Hob

Appliance that incorporates a **hob surface** and one or more **hob elements**, and is built in or part of a **cooking range**

3.104 cooking range

Appliance incorporating a **hob** and an **oven** and which may incorporate a **grill** or **griddle**

3.105 Pyrolytic self-cleaning oven

Oven in which cooking deposits are removed by heating the **oven** to a temperature exceeding 350 °C

3.106 Steam oven

Oven intended for cooking food by steam generated at atmospheric pressure in the appliance

3.107 Griddle

Heating unit having a surface on which the food is placed directly for Cooking

3.108 Induction hob

Hob containing at least one **induction hob element** or one **induction wok element**

3.109 Heating unit

Any part of the appliance that fulfils an independent cooking or warming Function

NOTE Examples are **hob elements**, **ovens**, **grills** and warming drawers.

3.110 Hob surface

Horizontal part of the appliance on which vessels can be placed

3.111 Hob element

Heating unit attached to the **hob surface** or positioned below the **cooking zone**

3.112 Induction hob element

Hob element that heats metallic vessels by means of eddy currents

NOTE The eddy currents are induced in the bottom of the vessel by the electromagnetic field of a coil.

3.113 Pan detector

Device incorporated in a **hob element** that prevents its operation unless a vessel is placed on the **cooking zone**

3.114 Cooking zone

Area marked on a **hob surface** where the vessel is placed for heating Food

NOTE When a **hob element** protrudes above the **hob surface**, its surface is the **cooking zone**.

3.115 Touch control

Control actuated by contact or proximity of a finger, with little or no movement of the contact surface

3.116 Temperature-sensing probe

Device that is inserted into the food to measure its temperature and which is a part of an **oven** control

3.117 Rated water pressure

Water pressure assigned to the appliance by the manufacturer

3.118 Induction wok element

induction hob element with the hob surface of an approximate spherical shape to accept a wok

4 General requirement

This clause of Part 1 is applicable.

5 General conditions for the tests

This clause of Part 1 is applicable except as follows:

5.3 Addition:

For **pyrolytic self-cleaning ovens**, the tests of 22.108 to 22.111 are

carried out before the tests of Clause 19.

5.4 Addition:

Appliances that also use gas are supplied with gas at the appropriate rated pressure. Vessels having a diameter of approximately 220 mm are filled with 2 l of water, covered with a lid and placed on the **hob** burners. The controls are adjusted to their highest setting until the water boils. They are then adjusted so that the water simmers, water being added when necessary to maintain the level.

5.101 Class III temperature-sensing probes are only subjected to the tests of Clause 19.

6 Classification

This clause of Part 1 is applicable except as follows:

6.1 Modification:

Appliances shall be **class I, class II or class III**.

7 Marking and instructions

This clause of Part 1 is applicable except as follows:

7.1 Addition:

The total **rated power input** or **rated current** of **induction hob elements**

and **induction wok elements** shall be marked.

If a **cooking range** incorporates a socket-outlet protected by means of fuses, other than D type fuses, it shall be marked with the rated current of the relevant fuse. When a miniature fuse-link is provided, this marking shall indicate that the fuse-link is to have a high breaking capacity.

7.6 Addition:



[symbol IEC 60417-5010 (2002-10)] ON/OFF (push-push)

7.10 Addition:

The **off position** of **touch controls** for hobs shall be marked by the figure O and the on position by the figure I. If there is no **touch control** for the **hob**, this requirement applies to the **touch controls** for each **hob element**.

NOTE 101 If the same **touch control** is used for switching on and off, symbol 5010 of IEC 60417-1 may be used.

7.12 Addition:

If the **hob surface** is of glass-ceramic or similar material and protects **live parts**, the instructions shall include the substance of the following:

WARNING: If the surface is cracked, switch off the appliance to avoid the possibility of electric shock.

The instructions for **cooking ranges** and **ovens** shall include the <http://www.china-gauges.com/>

substance of the following:

During use the appliance becomes hot. Care should be taken to avoid touching heating elements inside the oven.

The instructions for **ovens** shall state the substance of the following:

WARNING: Accessible parts may become hot during use.
Young children should be kept away.

The instructions for **ovens** having doors with glass panels shall include the substance of the following:

Do not use harsh abrasive cleaners or sharp metal scrapers to clean the oven door glass since they can scratch the surface, which may result in shattering of the glass.

If during the test of Clause 11, the temperature rise at the centre of the internal bottom surface of a storage drawer exceeds that specified for handles held for short periods in normal use, the instructions shall state that these surfaces can get hot.

The instructions for **pyrolytic self-cleaning ovens** shall state that excess spillage must be removed before cleaning and shall specify which utensils can be left in the oven during cleaning.

If, for cleaning, the manufacturer instructs the user to set the controls to a position higher than for normal cooking purposes, the instructions shall state that under such conditions the surfaces may get hotter than

usual and children should be kept away.

The instructions for **ovens** incorporating a fan with a guard that can be removed for cleaning shall state that the **oven** must be switched off before removing the guard and that, after cleaning, the guard must be replaced in accordance with the instructions.

The instructions for **ovens** provided with a facility to use a **temperature-sensing probe** shall include the substance of the following:

Only use the temperature probe recommended for this oven.

The instructions for **cooking ranges, hobs** and **ovens** shall state that a steam cleaner is not to be used.

The instructions for **induction hobs** shall include the substance of the following:

Metallic objects such as knives, forks, spoons and lids should
not be placed on the hob surface
since they can get hot.

The instructions for **hobs** incorporating a lid shall state that any spillage should be removed from the lid before opening. They shall also state that the hob surface should be allowed to cool before closing the lid.

The instructions for **hobs** incorporating halogen lamps shall warn the

user not to stare at the hob elements.

The instructions for **hobs** incorporating a **pan detector** shall include the substance of the following:

After use, switch off the hob element by its control and do not rely
on the pan detector.

If the appliance incorporates a lamp for illumination, and does not incorporate a switch providing full disconnection under overvoltage category III conditions, the instructions shall include the substance of the following:

WARNING: Ensure that the appliance is switched off before
replacing the lamp to avoid the possibility
of electric shock.

The instructions for **hobs** shall state that the appliance is not intended to be operated by means of an external timer or separate remote-control system.

The instructions for **hobs** incorporating an **induction wok element** shall contain a list of vessels that can be used, unless the manufacturer provides a wok with the appliance.

The instructions for **ovens** that have shelves shall include details indicating the correct installation of the shelves.

7.12.1 Addition:

The installation instructions for **cooking ranges** that are placed on the floor shall state that if the range is placed on a base, measures have to be taken to prevent the appliance slipping from the base.

NOTE 101 This statement is not required if the instructions specify that the range should not be placed on a base.

The installation instructions for appliances intended to be connected to the water mains shall include the maximum **rated water pressure** in megapascals.

7.12.3 Addition:

If a **cooking range** does not have a **supply cord**, the instructions shall state the type of cord to be used, taking into account the temperature of the rear surface of the appliance.

7.12.4 Addition:

The instructions for **built-in appliances** having separate control panels shall state that the control panel is only to be connected to the **heating units** specified in order to avoid a possible hazard.

7.15 Addition:

When it is not practical for the marking of **fixed appliances** to be visible after the appliance has been installed, the relevant information shall be

included in the instructions or on an additional label that can be fixed near the appliance after installation.

NOTE 101 An example of such an appliance is a **built-in hob**.

The marking for the rated current of the fuse protecting a socket-outlet shall be placed on or near the socket-outlet.

7.101 Steam generators intended to be filled manually shall be marked with the maximum water level, which shall be visible during filling.

Compliance is checked by inspection.

7.102 The **cooking zone of hob surfaces** shall be identified by appropriate marking unless it is obvious.

Compliance is checked by inspection.

7.103 For **cooking ranges** that are normally placed on the floor and that have horizontally hinged **oven** doors with a hinge height of less than 430 mm from the floor, if a stabilizing means is necessary in order to comply with the test of 20.102, then

- the stabilizing means shall be marked, in lettering at least 3 mm high, with the substance of the following warning:

WARNING: In order to prevent tipping of the appliance, this stabilizing means must be installed. Refer to the instructions for installation.

NOTE Commonly available fixing hardware, such as screws and bolts, need not be marked or delivered with the appliance.

- the appliance shall be marked, in lettering at least 3 mm high, at the point of supply entry and at least one other point to draw the attention of the user to the need to stabilize the appliance.

Compliance is checked by inspection and measurement.

8 Protection against access to live parts

This clause of Part 1 is applicable except as follows:

8.1.2 Addition:

Test probe 12 of IEC 61032 is applied without appreciable force to parts liable to be touched accidentally in normal use by a fork or similar pointed object. It shall not be possible to touch **live parts**.

8.1.3 Modification:

The use of test probe 41 instead of test probe B and test probe 13 is only allowed when **visibly glowing heating elements** are situated at the top of an **oven** or grilling compartment.

9 Starting of motor-operated appliances

This clause of Part 1 is not applicable.

10 Power input and current

This clause of Part 1 is applicable except as follows:

10.1 Addition:

The power input of **induction hob elements** and **induction wok elements** is measured separately and the tolerances for **motor-operated appliances** apply.

The contribution of a socket-outlet to the power input is considered to be 1 kW.

NOTE 101 Socket-outlets are not loaded during the test.

10.2 Addition:

The current of **induction hob elements** and **induction wok elements** is measured separately and the tolerances for **motor-operated appliances** apply.

The contribution of a socket-outlet to the current is considered to be 1 kW divided by the **rated voltage**.

NOTE 101 Socket-outlets are not loaded during the test.

11 Heating

This clause of Part 1 is applicable except as follows.

11.1 Addition:

For **cooking ranges** and **ovens**, compliance is also checked by the test of 11.101.

11.2 Addition:

For appliances intended to stand on the floor, a closed rectangular box is placed as close as possible to the free side of the appliance and against the rear wall of the test corner. The box is made of dull black painted plywood 10 mm thick. It has a width of 150 mm, its top being level with the **hob surface** and its front flush with the front surface of the appliance.

Appliances having a lid to cover the **hob surface** are tested with the lid open. Lids that can be removed without the aid of a **tool** are removed, unless the **hob element** cannot operate with the lid removed.

Temperature-sensing probes are placed in the **oven** in any position likely to occur during normal use. They are not connected to control the **oven** temperature. The test for **pyrolytic self-cleaning ovens** is carried out with **temperature-sensing probes** in position, unless otherwise specified in the instructions.

Detachable parts that are intended to be used to reduce the temperature of control panels are removed.

NOTE 101 A retractable part is not considered to be a **detachable part**.

11.3 Addition:

The temperature of the centre of the **oven** and the temperature rises of the surface of the rectangular box are determined using the thermocouples specified for the walls of the test corner.

NOTE 101 If the magnetic field of an **induction hob element** unduly influences the results, the temperature rises can be determined using platinum resistances with twisted connecting wires or any equivalent means.

11.4 Addition:

Induction hob elements and **induction wok elements** are supplied separately and operated as specified for **motor-operated appliances**.

Cooking ranges are operated at 1,15 **rated power input** under **normal operation**. The supply voltage is measured when the power input has stabilized. This voltage is used to supply the **heating units** of the **cooking range** during the tests.

11.6 Replacement:

Combined appliances are operated as specified for **heating appliance**

If the temperature rise limits are exceeded in appliances incorporating motors, transformers or **electronic circuits**, and the power input is lower than the **rated power input**, the test is repeated with the appliance supplied at 1,06 times **rated voltage**.

11.7 Replacement:

Appliances are operated for the duration specified in 11.7.101 to 11.7.106.

NOTE 101 Steady conditions are considered to be established if the temperature does not rise by more than 1 K in 15 min.

11.7.101 Induction hob elements and **induction wok elements** are operated for 30 min. Other **hob elements** are operated for 60 min.

11.7.102 Ovens are operated for 60 min. If a rotating spit is provided, it is in operation.

NOTE 1 **Steam ovens** are operated in each mode of operation.

NOTE 2 Lamps in **ovens** are not manually switched on.

If an appliance incorporates two **ovens** that can be energized simultaneously, they are tested together.

Pyrolytic self-cleaning ovens are also operated under the cleaning conditions specified in the instructions for the maximum time allowed

by the control or until steady conditions are established, whichever is

shorter. During this period, other **heating units** that can be energized are operated under **normal operation**.

11.7.103 Grills are operated for 30 min. However, **grills** having means to reduce the power input are operated for 15 min with their controls adjusted to the highest setting and then for 15 min at a setting which reduces the average power input by approximately 50 %.

Grills provided with a rotating spit are also operated with the spit rotating for 60 min.

11.7.104 Griddles incorporating a thermal control are operated until steady conditions are established. Other **griddles** are operated for 30 min after the centre of the heating surface attains a temperature of 275 °C.

11.7.105 Warming drawers and similar compartments are operated for 30 min.

11.7.106 For **cooking ranges**, combinations of **heating units** that can be energized simultaneously are tested together for the durations specified in 11.7.101 to 11.7.105, **heating units** that have a test duration of 30 min being operated for the last 30 minutes of the test.

NOTE For example, the sequence of tests for a **cooking range** incorporating a **grill** in the **oven** and a rotating spit is as follows:

- Operation of the **hob** and **oven** and, if possible, with the spit rotating, for 60 min;

- Cooling down to approximately room temperature;
- Operation of the **hob** for 60 min, the **grill** being operated simultaneously for the last 30 minutes;
- Cooling down to approximately room temperature;
- Operation of the **hob** and **grill** with the spit rotating, for 60 min.

11.7.107 If the appliance incorporates a socket-outlet, an appropriate plug complying with IEC 60083 is engaged. The plug is connected to a 1 kW resistive load by means of an ordinary polyvinyl chloride sheathed flexible cord (code designation 60227 IEC 53) having a cross-sectional area of 0,75 mm². The temperature rise of the plug is determined during the last 30 min of the test.

11.8 Modification:

Instead of the temperature rises stated in Table 3 for wood, the following applies:

Temperature rises of the floor and walls of the test corner, wooden cabinets and the rectangular box shall not exceed the following values:

- | | |
|---|------|
| – Appliances intended to stand on a table | 65 K |
| – Grills | 75 K |
| – Other appliances | 70 K |

The temperature rise of parts of the underside of **built-in hobs**, accessible to a 75 mm diameter probe having a hemispherical end, shall not exceed 70 K unless the instructions specify that a board is to be installed underneath the **hob**.

Addition:

The temperature rise of handles of inner glass doors, grill pans, **temperature-sensing probes** and rotating parts in **ovens** or **grills** is not limited.

During the additional test for **pyrolytic self-cleaning ovens**, the temperature rise of the surface of knobs, handles and levers shall not exceed the following values:

- | | |
|------------------------------------|------|
| – Metal | 55 K |
| – Porcelain or vitreous material | 65 K |
| – Moulded material, rubber or wood | 80 K |

The temperature rises of knobs, handles and levers associated with functions that cannot be performed during the cleaning operation are not determined.

The temperature rise limits of motors, transformers and components of **electronic circuits**, including parts directly influenced by them, may be exceeded when the appliance is operated at 1,15 times **rated power input**.

The temperature rise of the plug, measured 2 mm below the surface at the centre of the engagement face, shall not exceed 45 K.

11.101 Cooking ranges and ovens are placed as specified in 11.2. However, appliances intended to stand on the floor are positioned with their backs against one of the walls of the test corner and away from the other wall. A rectangular box as specified in 11.2 is placed against one of the sides of the appliance. The appliance is supplied at **rated voltage** and operated under **normal operation**.

All **heating units**, other than **grills**, that can be connected to the supply mains at the same time during normal use are switched on.

Ovens are operated without accessories. The mean temperature in the centre of the **oven** is maintained at $200\text{ °C} \pm 4\text{ °C}$.

Hob elements and **griddles** are operated in accordance with 11.7.

Warming drawers and similar compartments are operated with the controls adjusted to the highest setting.

The appliance is operated for 60 min or until steady conditions are established, whichever is shorter.

Temperature rises of the front and side surfaces are measured using the probe of Figure 104. The probe is applied with a force of $4\text{ N} \pm 1\text{ N}$ to the surface in such a way that the best possible contact between the probe and the surface is ensured.

NOTE 1 Any measuring instrument giving the same results as the probe may be used.

Temperature rises are not measured on

- Surfaces that are inaccessible to a 75 mm diameter probe having a hemispherical end, unless they are protected by a **detachable guard**;
- Surfaces of **cooking ranges** that are within 25 mm below the level of the **hob surface** or are above the **hob surface**;
- Small parts such as **oven** vents, hinges and trim where the width of the **accessible surface** is less than 10 mm;
- Surfaces within 10 mm of the edge of the **oven** door.

During the test, the temperature rise of surfaces shall not exceed the values specified in Table 102.

Table 102

Temperature rise limits for accessible surfaces

Surface	Temperature rise K	
	Front surfaces of oven doors	Other parts
Metal and painted metal	45	60
Vitreous-enamelled metal	50	65
Glass and ceramic	60	80
Plastic having a thickness exceeding 0,3 mm	80	100
NOTE 1 The temperature rise limit of 100 K also applies for plastic material having a metal finish of thickness less than 0,1 mm.		
NOTE 2 When the thickness of the plastic coating does not exceed 0,3 mm, the temperature rise limits of the supporting material apply.		

NOTE 2 If the door is protected by a guard, the temperature rises specified for the front surface of **oven** doors apply to the guard.

However, for **oven** doors the temperature rise limits specified for other parts apply to

- Parts protected by a **detachable guard**;
- Those parts of the door of **built-in ovens** situated more than 850 mm above the floor after installation of the **oven**;
- **Ovens** intended to be used on a working surface.

If the **oven** can be used for grilling and the instructions state that for grilling the door should be closed, the test is repeated but with the **oven** operating in the grilling mode with the controls set

according to the instructions. The **grill** is operated for 30 min in accordance with 11.7.103. However, if the **oven** has a rotating spit, the duration of the test is 60 min, with the controls set to give the most unfavourable conditions specified in the instructions. The measurements are only carried out on surfaces for which temperature rises for the front surface of **oven** doors apply.

12 Void

13 Leakage current and electric strength at operating temperature

This clause of Part 1 is applicable except as follows:

13.1 Addition:

If a **grill** is incorporated in the **oven**, either the **oven** or the **grill** is operated, whichever is more unfavourable.

For **hobs**, the tests are carried out with a vessel filled as specified in 3.1.9.101 placed on each **cooking zone**.

Induction hob elements and **induction wok elements** are tested as specified for **motor-operated appliances**.

13.2 Modification:

After the appliance has been operated for the duration specified in 11.7, the controls are adjusted to their highest setting and the leakage current is measured within 10 s of it attaining its highest value.

For **stationary class I appliances**, the leakage current shall not exceed the following values:

- For appliances with heating Elements that are detachable or can be switched off separately 1 mA, or 1 mA kW power input for each element with a limit of 10 mA, whichever is higher. If the appliance has more than three **heating units**, only 75 % of the measured leakage current is taken into account;

- For other appliances 1 mA, or 1 mA per kW **rated power input** with a limit of 10 mA, whichever is higher.

If there is earthed metal between **live parts** and the surface of glass-ceramic or similar material of **hobs**, the leakage current is measured between **live parts** and each vessel in turn connected to the earthed metal. If there is no earthed metal, the leakage current, measured between **live parts** and each of the vessels in turn, shall not exceed 0,25 mA.

13.3 Addition:

If there is earthed metal between **live parts** and the surface of glass-ceramic or similar material of **hobs**, a test voltage of 1 000 V is applied between **live parts** and all the vessels connected to the earthed metal.

If there is no earthed metal, a test voltage of 3 000 V is applied between **live parts** and the vessels.

14 Transient overvoltages

This clause of Part 1 is applicable.

15 Moisture resistance

This clause of Part 1 is applicable except as follows:

15.2 Addition:

Cooking ranges and **hobs** are positioned so that the **hob surface** is horizontal. A vessel having the largest diameter shown in Figure 101, which does not exceed the diameter of the **cooking zone**, is completely filled with water containing approximately 1 % NaCl and positioned centrally over the **cooking zone**. A further quantity of 0,5 l of the solution is poured steadily into the vessel over a period of 15 s. The test is carried out on each **cooking zone** in turn, after removing any residual solution from the appliance.

For **hob elements** incorporating a switch or a thermal control, 0,02 l of the saline solution is poured over the **hob element** so that it flows over the switch or control. A vessel is then placed on the **hob element** to depress any movable part. If controls are mounted below the **hob surface**, 0,5 l of the saline solution is poured steadily over the top of the **hob** near the controls over a period of 15 s. If the controls are mounted in the **hob surface**, the saline solution is poured over them.

For **hobs** having ventilating openings in the **hob surface**, 0,2 l of the saline solution is poured steadily through a funnel onto the ventilating openings. The funnel has an outlet diameter of 8 mm and is positioned vertically with the outlet 200 mm above the **hob surface**. The funnel is positioned above the ventilating openings so that the solution enters the appliance in the most unfavourable way.

NOTE 101 If the opening is protected, the funnel is positioned so that

the solution falls onto the **hob surface** as close as possible to the opening.

NOTE 102 Care is to be taken to ensure that the saline solution is not poured over controls located close to ventilating openings.

For **ovens** and **grills**, 0,5 l of the saline solution is poured over the floor of the **oven** or grilling compartment.

For appliances having a drip tray or similar receptacle, the receptacle is filled with the saline solution. A further quantity of the solution, equal to 0,01 l per 100 cm² of the area of the top surface of the receptacle, is poured onto the receptacle through openings in the **hob surface**.

However, the total quantity of solution shall not exceed 3 l.

For **hobs** having a lid, 0,5 l of the saline solution is poured uniformly over the closed lid. When the solution has run off, the surface is dried and a further 0,125 l of the solution is poured steadily from a height of approximately 50 mm onto the centre of the lid over a period of 15 s. The lid is then opened as in normal use.

Steam generators intended to be connected to the water mains are supplied at **rated water pressure**. Control devices for the supply of water are held open. Water is allowed to flow for 1 min after the first evidence of overflow, unless the inflow stops automatically.

NOTE 103 Only one device is held open at a time.

15.101 Temperature-sensing probes shall be constructed so that their insulation is not affected by water.

Compliance is checked by the following test:

The probe is completely immersed in water containing approximately 1 % NaCl and having a temperature of $20\text{ }^{\circ}\text{C} \pm 5\text{ }^{\circ}\text{C}$. The water is heated to the boiling point in approximately 15 min. The probe is then removed from the boiling water and immersed in water having a temperature of $20\text{ }^{\circ}\text{C} \pm 5\text{ }^{\circ}\text{C}$ for 30 min.

This procedure is carried out five times after which the probe is removed from the water. All traces of liquid are then removed from the surface.

The probe shall then withstand the leakage current test of 16.2.

NOTE **Detachable temperature-sensing probes** are not connected to the appliance for this test. **Non-detachable temperature-sensing probes** are tested in the **oven**, the probe being immersed as much as possible.

16 Leakage current and electric strength

This clause of Part 1 is applicable except as follows.

16.1 Addition:

For **hobs**, the tests are carried out with a vessel filled as specified in 3.1.9.101 placed on each **cooking zone**.

Induction hob elements and **induction wok elements** are tested as specified for **motor-operated appliances**.

16.2 Modification:

For **stationary class I appliances**, the leakage current shall not exceed the following values:

- for appliances with heating elements that are detachable or can be switched off separately
1 mA, or 1 mA per kW power input for each element with a limit of 10 mA, whichever is higher. If appliance has more than three **heating units**, only 75 % of the measured leakage current is taken into account;
- for other appliances
1 mA, or 1 mA per kW **rated power input** with a maximum of 10 mA, whichever is higher.

NOTE 101 If the **oven** incorporates a **grill**, or if the appliance incorporates a means to limit the total power input, only the leakage current of those elements that can be switched on at the same time is taken into consideration.

If there is earthed metal between **live parts** and the surface of glass-ceramic or similar material of **hobs**, the leakage current is measured between **live parts** and each vessel in turn connected to the earthed

metal. If there is no earthed metal, the leakage current, measured between **live parts** and each of the vessels in turn, shall not exceed 0,25 mA.

16.3 Addition:

If there is earthed metal between **live parts** and the surface of glass-ceramic or similar material of **hobs**, a test voltage of 1 250 V is applied between **live parts** and all the vessels connected to the earthed metal. If there is no earthed metal, a test voltage of 3 000 V is applied between **live parts** and the vessels.

17 **Overload protection of transformers and associated circuits**

This clause of Part 1 is applicable.

18 **Endurance**

This clause of Part 1 is not applicable.

19 **Abnormal operation**

This clause of Part 1 is applicable except as follows:

19.1 Addition:

For **induction hobs**, compliance is also checked by the tests of 19.101 and 19.102, but 19.4 is not applicable. In addition, 19.101 is not

applicable to **induction wok elements**.

Temperature-sensing probes are placed in the **oven** in any position likely to occur during normal use except that they are not connected to control the **oven** temperature.

19.2 Addition:

Hob elements are operated without a vessel, **pan detectors** being rendered inoperative. **Oven** doors are open or closed, whichever is more unfavourable. **Hob** lids are closed unless the **hob elements** are interlocked with the lid or an indicator lamp shows that a **hob element** is switched on.

NOTE 101 A lamp that is switched on and off by a **thermostat** or energy regulator does not show that the **hob element** is switched on.

For appliances incorporating more than one **heating unit**, the test is only carried out with the **heating unit** resulting in the most unfavourable conditions, its control being adjusted to the highest setting. If the appliance incorporates an **oven** without an indicator lamp to show that the **oven** is switched on, the oven is also operated, its control being adjusted to the highest setting.

NOTE 102 A lamp used for illuminating the **oven**, visible through the door and which is automatically switched on and off together with the **oven**, is considered to be an indicator lamp.

If an **induction hob element** or an **induction wok element** has a

metallic lid, a force of 30 N is applied to the closed lid in the most unfavourable place by means of test probe B of IEC 61032.

Pyrolytic self-cleaning ovens are also operated under cleaning conditions, motors that operate during cleaning being switched off or disconnected in turn.

NOTE 103 Examples are motors of fans and timers.

Induction hob elements and **induction wok elements** are operated under the conditions of Clause 11 but with empty vessels, the controls being adjusted to the highest setting.

Steam ovens are operated without water.

Doors of separate grill compartments incorporated in a **cooking range** are open or closed, whichever is more unfavourable.

19.9 Not applicable.

19.11.2 Addition:

During simulation of the fault conditions, it shall be possible to switch off any energized **hob element**.

The fault conditions are also simulated with all **hob elements** switched off, the appliance being supplied at **rated voltage**. If a **pan detector** is incorporated, a suitable vessel is placed on the **cooking zone**.

The **hob elements** shall not become energized.

19.11.4 Addition:

During the test of the stand-by-mode, a suitable vessel is placed on the **cooking zone** if a **pan detector** is incorporated.

19.13 Addition:

The temperature rise limit of 150 K also applies to wooden cabinets and rectangular boxes.

The temperature in the centre of **ovens** during the test of 19.4 shall not exceed 425 °C whenever the **oven** door can be opened.

The temperature rise of the windings of **induction hob elements** and **induction wok elements** shall not exceed the values specified in 19.7.

The electric strength test of **induction hob elements** and **induction wok elements** is carried out immediately after switching off the appliance.

Glass in **oven** doors shall not be damaged.

19.101 Induction hob elements are supplied at **rated voltage** and operated with a steel disc placed on the centre of the **cooking zone**. The disc has a thickness of 6 mm and the smallest diameter, rounded up to the nearest centimetre, that allows the **hob element** to operate.

19.102 Induction hob elements and **induction wok elements** are supplied at

rated voltage and operated under **normal operation** but with thermal controls short-circuited.

The temperature rise of the oil shall not exceed 270 K.

20 Stability and mechanical hazards

This clause of Part 1 is applicable except as follows:

20.101 Cooking ranges and ovens shall have adequate stability when the open door is subjected to a load.

Compliance is checked by the following test and by the test of 20.102 if relevant.

Appliances with horizontally hinged doors are placed on a horizontal surface and a mass is placed on the centre of the open door. For non-rectangular doors, the mass is placed on the part farthest from the hinge where it could be placed in normal use.

For appliances normally placed on the floor the mass is

- 22,5 kg, for **oven** doors;
- 7 kg, for other doors.

For appliances normally placed on a table, the mass is 7 kg.

For appliances normally placed on the floor and having vertically

hinged doors, a mass of 15 kg is placed in the most unfavourable position on the open door.

NOTE 1 The **oven** shelves are placed in the most unfavourable position.

NOTE 2 A sandbag may be used for the load.

NOTE 3 For an appliance having more than one door, the test is carried out on each door separately.

Cooking ranges are tested without fitting any stabilizing means that are specified in the instructions for installation.

For **cooking ranges** incorporating a storage compartment adjacent to the oven and in which the shelves are pulled out simultaneously, the shelves are also loaded. The shelves are placed in the most unfavourable position and loaded with a uniformly distributed mass. The mass in grams is equal to the area of the shelf in square centimetres multiplied by

- 7,5, if the free height above the shelf does not exceed 20 cm;
- 15, if the free height above the shelf exceeds 20 cm.

The appliance shall not tilt.

Damage and deformation of doors and hinges are ignored.

20.102 For **cooking ranges** that are normally placed on the floor and that have horizontally hinged **oven** doors with a hinge height of less than

430 mm from the floor, the test of 20.101 is repeated, except that:

- The **cooking range** is fitted with the stabilizing means, if any, specified in the instructions for installation;
- The mass of the load on the **oven** doors is increased to 50 kg, or the mass of 22,5 kg is placed at the centre of the outer edge of the **oven** door, whichever gives the most unfavourable results.

The **cooking range** shall not tilt.

Damage and deformation of doors and hinges are ignored.

21 Mechanical strength

This clause of Part 1 is applicable except as follows:

21.1 Addition:

If the appliance has glass doors, three blows are applied to the centre of the glass, the door being in the closed position. If the door has horizontal hinges, the blows are also applied to the inside of the door when it is in the open position.

The glass shall not fracture.

If the appliance incorporates **visibly glowing heating elements** enclosed in glass tubes, the blows are applied to the tubes as mounted in the appliance if they are

- Located at the top of the **oven** and accessible to test probe 41 of IEC 61032;
- Located elsewhere in the **oven** and accessible to test probe B of IEC 61032.

For **hob surfaces** of glass-ceramic or similar material, three blows are applied to parts of the surfaces that are not exposed to impacts during the test of 21.102, the impact energy being increased to $0,70 J \pm 0,05 J$. The blows are not applied to surfaces within 20 mm of knobs.

NOTE 101 If the **hob surface** comprises a single piece of material except for the outer frame, this test is not carried out.

NOTE 102 Additional support is not provided for the door in the open position.

After the test, **temperature-sensing probes** are subjected to one cycle of the procedure described in 15.101 and shall then withstand the leakage current test of 16.2.

21.101 **Oven** shelves and their supports shall have adequate mechanical strength.

Compliance is checked by the following test.

A vessel filled with sand or shot is placed on the **oven** shelf. The total mass in kilograms is equal to 220 times the volume of the useful **oven** space in cubic metres, or 24 kg, whichever is less.

The shelf, with the vessel placed centrally on it, is inserted into the

oven and moved as close as possible to one of the side walls. It is left in this position for 1 min and then withdrawn. It is then reinserted, moved as close as possible to the other sidewall and left for 1 min.

The test is repeated for each supporting position of the shelf. The shelf and supports shall show no distortion impairing their further use and the shelf shall not fall from the supports.

Ovens with shelves that can be withdrawn and that are fitted with stops are also tested as follows. The shelves are fully extended to the maximum distance allowed by the stops. An evenly distributed force of 80 N is applied to each shelf, at locations along the front edge of the shelf, using a vessel having side dimensions of 200 mm, one side of the vessel being aligned along the front edge of the shelf.

During this test, the shelf shall not tilt downwards by more than 6°.

21.102 Hob surfaces of glass-ceramic or similar material shall withstand the stresses liable to occur in normal use.

Compliance is checked by the following test.

Each **hob element** is operated at **rated power input** with its control adjusted to the maximum setting. **Induction hob elements** and **induction wok elements** are operated as specified in Clause 11.

When steady conditions are established, the **hob element** is switched off and a loaded vessel is dropped flat 10 times from a height of 150 mm onto the **cooking zone**.

For **induction hob elements**, the vessel has a flat copper or aluminium base over a diameter of $120 \text{ mm} \pm 10 \text{ mm}$, its edges being rounded with a radius of at least 10 mm. It is uniformly filled with at least 1,3 kg of sand or shot so that the total mass is $1,80 \text{ kg} \pm 0,01 \text{ kg}$. For **induction wok elements**, the vessel is the wok specified in 3.1.9.101. It is uniformly filled with sand or shot so that the total mass is $1,80 \text{ kg} \pm 0,01 \text{ kg}$.

After subjecting each **cooking zone** in turn to this impact, the vessel is removed and all **hob elements** are operated simultaneously until steady conditions are established.

A quantity of $1 \frac{+0,1}{0}$ l of water having a temperature of $15 \text{ }^\circ\text{C} \pm 5 \text{ }^\circ\text{C}$ and containing approximately 1 % NaCl is poured steadily over the **hob surface**. The appliance is then disconnected from the supply. After 15 min all excess water is removed and the appliance allowed to cool to approximately room temperature. The same quantity of the saline solution is poured over the **hob surface** after which excess water is removed again.

The **hob surface** shall not crack and the appliance shall withstand the electric strength test of 16.3.

21.103 Temperature-sensing probes shall be constructed so that they are not damaged when trapped in the **oven** door.

Compliance is checked by the following test.

The probe is connected as in normal use and the sensing part or cord allowed to rest in any position likely to occur. The **oven** door is closed against the sensing part or cord and a force of 90 N is applied to the door in the most unfavourable place for 5 s.

The probe shall then comply with 8.1, 15.101 and Clause 29.

NOTE The **oven** is not operated during this test.

21.104 Glass panels of horizontally hinged **oven** doors shall withstand the thermal shock liable to occur in normal use.

Compliance is checked by the following test.

The appliance is operated as specified in Clause 11. The door is then opened and 0,2 l of water having a temperature of $15\text{ °C} \pm 5\text{ °C}$ is poured within 5 s onto the centre of the glass panel.

The glass shall not fracture.

NOTE The test is not carried out after the cleaning cycle of **pyrolytic self-cleaning ovens**.

22 Construction

This clause of Part 1 is applicable except as follows:

22.21 Addition:

NOTE 101 Magnesium oxide and mineral ceramic fibres used for the electrical insulation of heating elements are not considered to be hygroscopic materials.

22.51 Addition:

It is not necessary to manually adjust to the setting for **remote operation** in order to switch the appliance off.

22.101 Hobs shall be constructed so that **hob elements** are prevented from rotating about a vertical axis and are adequately supported in all positions of adjustment of their supports.

NOTE If a **hob element** is clamped by a nut on a central stud, an additional means is required to prevent its rotation.

Hobs with **detachable hob elements** shall be constructed so that damage is unlikely to occur while the **hob elements** are being removed or replaced.

Compliance is checked by inspection.

22.102 Timers intended to delay the operation of a heating element shall not control a radiant **grill**, unless the **grill** is thermally controlled and incorporated in an **oven** or other compartment.

Compliance is checked by inspection.

22.103 Oven vents shall be constructed so that any moisture or grease discharged through them cannot affect **clearances** and **creepage distances** between **live parts** and other parts of the appliance.

Compliance is checked by inspection.

22.104 Steam ovens shall be constructed so that steam vents and ducts are unlikely to become blocked during normal use.

Compliance is checked by inspection.

22.105 Built-in ovens shall only be vented through the front, unless provision is made for venting through a duct.

Compliance is checked by inspection.

22.106 Grills shall be constructed so that grill pans can be easily positioned without jamming.

The grill pans shall not fall from the support when moved sideways.

Compliance is checked by inspection and by manual test.

22.107 Pyrolytic self-cleaning ovens shall switch off automatically at the end of the cleaning process and require a manual operation to start another cleaning cycle.

Compliance is checked by inspection.

22.108 Pyrolytic self-cleaning ovens shall be constructed so that opening and closing of the door does not impair the interlock system or damage

the door seal.

Compliance is checked by the following test.

The door is opened at least 10 cm and is then closed by applying a force of 90 N to the handle. This operation is carried out 5 000 times. Every 1 000 cycles, the interlock system for the self-cleaning function is operated.

After the test, the interlock system shall be fit for further use and the door seal shall not be damaged.

22.109 Pyrolytic self-cleaning ovens shall incorporate an interlock so that access to the **oven** cannot be gained when the temperature in the centre of the **oven** exceeds 350 °C, even if the interlock is defective.

Compliance is checked by inspection and by the following test.

The **oven** is supplied at **rated voltage** and operated under cleaning conditions, after which it is allowed to cool. While the temperature in the centre of the **oven** exceeds 350 °C, a force of 90 N is applied to levers and handles, and a torque of 2 Nm is applied to rotary knobs. It shall not be possible to open the door.

The test is repeated with any defect that may be expected in normal use applied to the interlock system, including interruption of the supply, only one defect being simulated at a time.

NOTE 1 Examples of defects are the breakage of a spring, or a gravity-operated part failing to drop into position.

NOTE 2 Fault conditions applied during the tests of Clause 19 are not repeated.

22.110 Pyrolytic self-cleaning ovens shall be constructed so that ignitable gases cannot be discharged through vents during the cleaning process.

Compliance is checked by the following test:

A mixture of 30 g of gravy and 15 g of hydrogenated oil shortening is spread evenly over the interior of the **oven**, including the door. The **oven** is operated for 3 h at the maximum setting of the **thermostat**.

NOTE 1 The gravy consists of two-thirds by mass of beef extract and one-third water.

The **oven** is then operated under cleaning conditions and attempts are made to ignite gases that may be discharged through vents by bursts of sparks. The sparks are approximately 3 mm long, each spark having an energy of at least 0,5 J.

The sparks are applied when the temperature in the centre of the **oven** reaches 300 °C and at each subsequent temperature rise of 50 K.

NOTE 2 The electrodes used to produce the sparks are moved in and around the vents through which gases may be discharged.

There shall be no continuous burning of gases.

If the **oven** incorporates a heating element intended to eliminate

smoke, the test is repeated with this heating element disconnected if the temperature in the centre of the **oven** exceeds 450 °C under cleaning conditions.

22.111 Pyrolytic self-cleaning ovens shall be constructed so that there is no risk of emission of flames during the cleaning process.

Compliance is checked by the following test.

A suitable vessel containing 100 g of salt-free butter is placed on the centre of the **oven** floor.

The electrodes of a spark generator are positioned approximately 7,5 cm above the surface of the butter.

The **oven** is then operated under cleaning conditions and bursts of sparks are produced. The sparks are approximately 3 mm long, each spark having an energy of at least 0,5 J. The sparks are generated when the temperature in the centre of the **oven** reaches 300 °C and at each subsequent temperature rise of 50 K.

There shall be no emission of flames through door seals, vents or other openings.

22.112 Hobs shall be constructed so that hinged lids cannot close accidentally.

Compliance is checked by inspection and by manual test.

NOTE This requirement may be met if the hinge incorporates a click <http://www.china-gauges.com/>

stop or similar means, or if the lid can be opened through an angle of at least 100°, when the appliance is placed against a wall.

22.113 Hobs shall be constructed so that inadvertent operation of **touch controls** is unlikely if this could give rise to a hazardous situation due to

- Spillage of liquids, including that caused by a vessel boiling over;
- A damp cloth placed on the control panel.

Compliance is checked by the following test, the appliance being supplied at **rated voltage**. The test is carried out with each **hob element** energized in turn and then without energizing any **hob elements**.

Sufficient water to completely cover the control panel to a depth not exceeding 2 mm, with a minimum of 140 ml, is poured steadily over the control panel so that bridging occurs between combinations of touch pads.

A cloth having a mass between 140 g/m² and 170 g/m², and dimensions approximately 400 mm x 400 mm, is folded four times into a square pad, saturated with water and placed over the control panel in any position.

NOTE It is recommended to carry out the test with a white cloth in order to test systems such as infrared or optical systems. In case of doubt, different coloured cloths may be used.

There shall be no operation of any **hob element** for longer than 10 s.

During the test, it shall be possible to switch off the energized **hob element** by operating the **touch controls**, unless it switches off automatically.

22.114 Hobs having **touch controls** shall require at least two manual operations to switch on a **hob element** but only one operation to switch it off. However, additional **hob elements** may be switched on by a single manual operation. In this case, 1 min after all the **hob elements** have been switched off, two manual operations are required to re-energize one **hob element**.

NOTE Touching the contact surface at the same point twice is not considered to be two operations.

Hobs having **touch controls** shall incorporate visual means to indicate when each **hob element** is energized.

Compliance is checked by inspection and by manual test.

22.115 Induction hob elements and **induction wok elements**, and other **hob elements** incorporating a **pan detector**, shall be constructed so that the **hob element** can only be operated when a vessel is placed on the **cooking zone**.

Compliance is checked by the following test, the appliance being supplied at **rated voltage**.

An iron bar 2 mm thick having dimensions approximately 100 mm x 20

mm is placed in the most unfavourable position on each **cooking zone** in turn. The controls are adjusted to their highest setting.

For **induction hob elements** and **induction wok elements**, the temperature rise of the bar shall not exceed 35 K. Other **hob elements** shall not operate.

22.116 Hob elements incorporating a **pan detector** shall be constructed so that the **hob element** is not switched on by the vessel if it has been removed for more than 10 min.

Compliance is checked by manual test.

22.117 In appliances incorporating a **pan detector**, a signal lamp shall indicate when the control for the **hob element** is not switched to the **off position**.

Compliance is checked by inspection.

22.118 It shall not be possible to operate a **grill** while the plug of a **supply cord** is engaged in a socket-outlet located directly above the door.

Compliance is checked by inspection and by manual test.

22.119 Cooking ranges incorporating a retractable deflector to prevent excessive temperatures on control knobs shall be constructed so that the user is unlikely to touch hot surfaces of the deflector when operating

the controls.

Compliance is checked by measuring the distance between the deflector in its extended position and that part of the control knob touched in normal use. It shall be at least 25 mm, or the temperature rise of those parts within 25 mm of the knob shall not exceed the limits for handles, knobs, grips and similar parts held for short periods only, as specified in Table 3.

22.120 Outer glass panels of **oven** doors shall be made from glass that breaks into small pieces when it fractures.

Compliance is checked by carrying out the test specified in subclause 8.10 of ISO 15717. There shall be at least 60 pieces in any 50 mm x 50 mm area.

22.121 Outer glass panels of **oven** doors that are intended to be removed by the user for cleaning shall be constructed so that they cannot be fixed in an incorrect orientation.

Compliance is checked by inspection and by manual test.

22.122 **Ovens** with shelves that can be withdrawn shall be fitted with rest positions to prevent the inadvertent withdrawal of the shelves.

The shelves shall also be constructed to prevent cooking dishes, or the like, from sliding over the rear edge.

Compliance is checked by inspection and by manual test.

23 Internal wiring

This clause of Part 1 is applicable except as follows:

23.3 Addition:

The requirement also applies if parts of a **cooking range** are folded onto the **hob surface**, or separated from their normal position, for transportation purposes.

24 Components

This clause of Part 1 is applicable except as follows:

24.1.3 Addition:

Switches controlling **hob elements** are subjected to 30 000 cycles of operation.

NOTE This does not apply to switches having only one closed position.

24.1.4 Addition:

- Energy regulators
 - For automatic action 100 000
 - For manual action 10 000

- **Self-resetting thermal cut-outs**
 - For heating elements of glass-ceramic hobs 100 000
 - For heating elements of other **hobs** 10 000
- **Thermostats** controlling the cleaning process in **pyrolytic self-cleaning ovens** 3 000

24.101 Thermostats and energy regulators incorporating an **off position** shall not switch on as a result of variations in ambient temperatures.

Compliance is checked by the following test that is carried out on three samples of the control.

The control, adjusted to the **off position**, is placed for 2 h in an ambient temperature of -20_{-5}^0 °C, and then at

- t °C, where t is the temperature according to the T-marking;
- 55 °C, for controls without a T-marking.

During the test, the **off position** shall be maintained.

A test voltage of 500 V is applied across the contacts for 1 min. No breakdown shall occur.

24.102 Socket-outlets incorporated in **cooking ranges** shall be single-phase, incorporate an earthing contact and have a rated current not exceeding 16 A. Both poles shall be protected by fuses or miniature circuit-breakers having a rated current not exceeding the rated current of the

socket-outlet. They shall be placed behind a **non-detachable cover**.

However, if the **cooking range** is intended to be permanently connected to fixed wiring or is fitted with a polarized plug, the neutral pole need not be protected. A **non-detachable cover** is not required if fuses become accessible after opening a drawer or other compartment.

Compliance is checked by inspection.

NOTE The actuating member of miniature circuit-breakers may be accessible.

25 Supply connection and external flexible cords

This clause of Part 1 is applicable except as follows:

25.3 Addition:

Hobs, built-in ranges and built-in ovens may be connected to the supply mains before the appliance is installed.

25.14 Addition:

For **temperature-sensing probes**, the total number of flexings is 5 000. Probes with circular-section cords are turned through 90° after 2 500 flexings.

26 Terminals for external conductors

This clause of Part 1 is applicable.

27 Provision for earthing

This clause of Part 1 is applicable.

28 Screws and connections

This clause of Part 1 is applicable.

29 Clearances, creepage distances and solid insulation

This clause of Part 1 is applicable except as follows:

29.2 Addition:

The microenvironment is pollution degree 3 unless the insulation is enclosed or located so that it is unlikely to be exposed to pollution during normal use of the appliance.

29.3 Addition:

This requirement does not apply to the sheath of a **visibly glowing heating element** inaccessible to test probe 41 of IEC 61032.

30 Resistance to heat and fire

This clause of Part 1 is applicable except as follows:

30.2 Addition:

For **induction wok elements, grills** and **griddles** that do not

incorporate a timer, 30.2.2 is applicable. For other appliances, 30.2.3 is applicable.

31 Resistance to rusting

This clause of Part 1 is applicable.

32 Radiation, toxicity and similar hazards

This clause of Part 1 is applicable except as follows.

32.101 Pyrolytic self-cleaning ovens shall be constructed so that carbon monoxide is not discharged in hazardous quantities during cleaning.

Compliance is checked by the following test.

Twice the quantity of the mixture specified in 22.110 is spread evenly over the interior of the **oven**, including the door. The **oven** is supplied at **rated voltage** and operated for 3 h at the maximum setting of the **thermostat**.

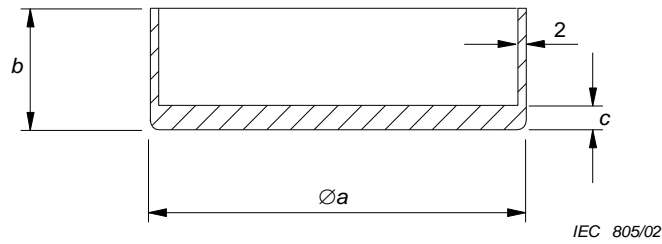
The **oven** is then allowed to cool to room temperature and placed in a closed test room having a volume of 20 m³ to 25 m³, in which the air is circulated by a low-speed fan. The **oven** is operated under cleaning conditions and the concentration of carbon monoxide is measured 1 m above the centre of the floor.

The concentration of carbon monoxide shall not exceed 0.015 %.

If the **oven** incorporates a heating element intended to eliminate smoke, the test is repeated with this heating element disconnected, unless the cleaning process can only be performed when the heating element is in circuit.

If an electronic feed back control to calculate the concentration of the carbon monoxide is used, the test is repeated with the electronic feed back control short-circuited.

If the appliance fails to comply, the electronic feed back control is considered to be a **protective electronic circuit**. In this case, the appliance is also checked by applying tests for **protective electronic circuits** in Clause 19 during the test with the electronic feed back control not short-circuited.

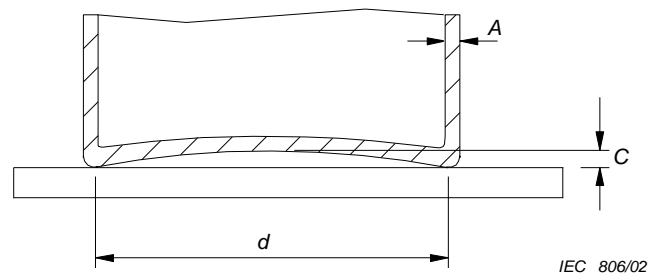


Dimensions in millimetres

Diameter of cooking zone Mm	Approximate dimension		
	A Mm	b mm	C Mm
≤ 110	110	140	8
>110 ≤145	145	140	8
>145 ≤180	180	140	9
>180 ≤220	220	120	10
>220 ≤300	300	100	10

NOTE The maximum concavity of the base of the vessel is to be not more than 0,05 mm. The base of the vessel is not to be convex

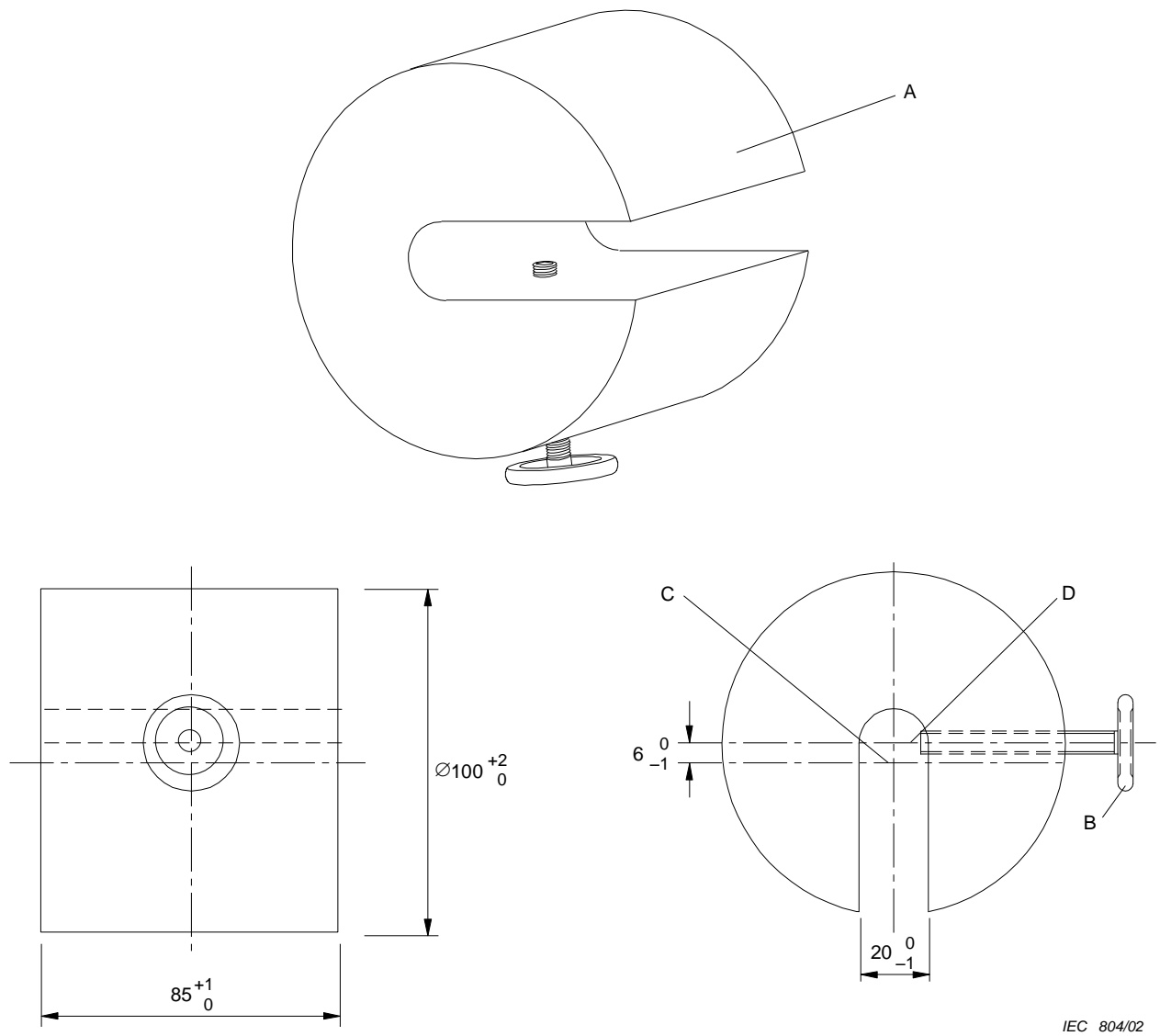
Figure 101 – Vessel for testing hob elements

**Key**

- A Base and wall thickness, $2 \text{ mm} \pm 0,5 \text{ mm}$
- C Maximum concavity
- d Diameter of the flat area of the base

NOTE The vessel is made of low carbon steel having a maximum carbon content of 0,08 %. It is cylindrical without metallic handles or protrusions. The diameter of the flat area of the base of the vessel is to be at least the diameter of the **cooking zone**. The maximum concavity of the base of the vessel is $0,006 d$. The base of the vessel is not to be convex.

Figure 102 – Vessel for testing induction hob elements



IEC 804/02

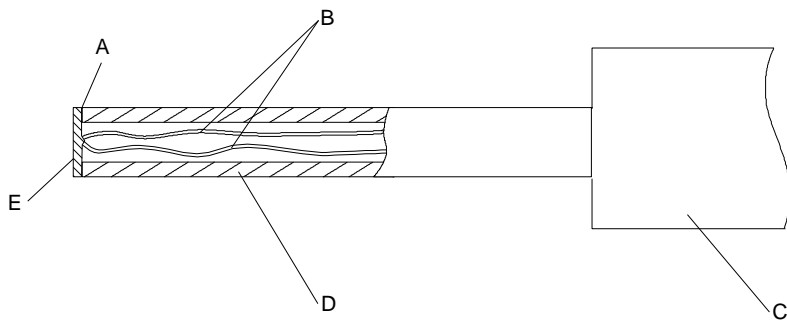
Dimensions in millimetres

Key

- A Load, mass approximately 4,5 kg
- B Fixing screw
- C Axis of load
- D Axis of fixing screw

NOTE The load is positioned on the rotary spit so that the fixing screw contacts the diameter of the spit.

Figure 103 – Load for testing rotating spits



IEC 807/02

Key

- A Adhesive
- B Thermocouple wires 0,3 mm diameter to IEC 60584-1 Type K (chrome alumel)
- C Handle arrangement permitting a contact force of $4 \text{ N} \pm 1 \text{ N}$
- D Polycarbonat tube: inside diameter 3 mm, outside diameter 5 mm
- E Tinned copper disc: 5 mm diameter, 0,5 mm thick

NOTE The contact face of the disc is to be flat.

Figure 104 – Probe for measuring surface temperatures

Annexes

The annexes of Part 1 are applicable.:

Bibliography

The bibliography of Part 1 is applicable except as follows:

Addition:

IEC 60335-2-9, Household and similar electrical appliances – Safety – Part 2-9: Particular requirements for grills, toasters and similar portable cooking appliances

IEC 60335-2-25, Household and similar electrical appliances – Safety – Part 2-25: Particular requirements for microwave ovens including combination microwave ovens

ISO 13732-1, Ergonomics of the thermal environment – Methods for the assessment of human responses to contact with surfaces – Part 1: Hot surfaces

Annex "AAA"

(Normative)

NATIONAL MODIFICATIONS

AAA/1 National Modifications for the Values of the
Rated Voltages and Frequencies

With respect to the rated voltages and frequencies in Clause 1 "Scope" of the First Section, the following is applicable:

Clause No. and Paragraph No.	Text as specified in IEC 60335-2-6	Text after modification	Remarks
1 (Paragraph No.1)	<p>This clause of Part 1 is replaced by the following:</p> <p>This International Standard deals with the safety of stationary electric cooking ranges, hobs, ovens and similar appliances for household use, their rated voltage being not more than 250 V for single-phase appliances connected between one phase and neutral, and 480 V for other appliances.</p>	<p>This clause of Part 1 is replaced by the following:</p> <p>This International Standard deals with the safety of stationary electric cooking ranges, hobs, ovens and similar appliances for household use, their rated voltages and frequencies being as specified in Table (AAA/1-1) and Table (AAA/1-2) and wherever exist thereafter.</p>	

Table (AAA/1-1)

Single-Phase Rated Voltages & Frequencies in the GCC Countries

Country Name	Rated Voltage V	Rated Frequency Hz
United Arab Emarits	240	50
Kingdom of Bahrin	230	50
Kingdom of Saudi Arabia	127 & 220	60
Sultanate of Oman	240	50
Qatar	240	50
Kuwait	240	50

Table (AAA/1-2)

Three-Phase Rated Voltages & Frequencies in the GCC Countries

Country Name	Rated Voltage V	Rated Frequency Hz
United Arab Emarits	-	-
Kingdom of Bahrin	-	-
Kingdom of Saudi Arabia	220	60
Sultanate of Oman	-	-
Qatar	-	-
Kuwait	-	-

AAA/2 National Modifications for Electric Cooking Ranges

The following modifications are applicable to the "First Section" of this Standard (SASO / IEC 60335-2-6/2010) in order to satisfy the additional requirements specified in SASO 1236/1997 "Electric Cooking Ranges" and SASO 1237/1997 "Testing Methods for Electric Cooking Ranges" (the "Second Section" of this Standard) , among which the additional requirements that are given at the end of this Annex.

AAA/2.1 Thermal efficiency of boiling hotplates

AAA/2.2 Oven heat-up time

AAA/2.3 Oven heat loss

1 SCOPE

This standard is concerned with electric cooking ranges for household use and similar purposes, operated from an A.C. at rated voltages and rated frequencies as specified in Annex A and designed for tropical climate. It applies to cooking ranges, table cookers, hob assemblies separate ovens including those for building-in, and grills for building-in or which form part of cooking ranges or ovens.

2 COMPLEMENTARY REFERENCES

This Clause of the First Section is applicable except as follows:

Addition:

SASO 1236/1997, Electric Cooking Ranges

SASO 1237/1997, Testing Methods for Electric Cooking Ranges

3 DEFINITIONS

This Clause of the First Section is applicable except as follows:

3.1 Hob element (boiling plate, surface element)

A heating element designed to accommodate a vessel or vessels on its upper surface for boiling water or cooking food

3.2 Solid element

A heating element having one or more heating resistors enclosed or embedded within a cast body

3.3 Radiant element

A heating element having one or more heating resistors enclosed within a tubular metallic sheath or sheaths
3.8 Hob element (boiling plate, surface element): a heating element designed to accommodate a vessel or vessels on its upper surface for boiling water or cooking food

3.4 Griddle

A flat cooking surface on which food is placed directly

3.5 Detachable hob element

A hob element provided with pins which engage with contact tubes in the main part of the appliance, so that the hob element can be withdrawn from its normal position of use and replaced in this position

4 GENERAL REQUIREMENT

This Clause of the First Section is applicable.

5 GENERAL CONDITIONS FOR THE TESTS

This Clause of the First Section is applicable.

6 CLASSIFICATION

This Clause of the First Section is applicable.

7 MARKING AND INSTRUCTIONS

This Clause of the First Section is applicable except as follows:

- All marking on the appliance or its component shall be in Arabic or English.
- Instructions booklet, including all the information marked on the appliance and its components, shall be in Arabic and English.

8 PROTECTION AGAINST ACCESS TO LIVE PARTS

This Clause of the First Section is applicable.

9 STARTING OF MOTOR-OPERATED APPLIANCES

This Clause of the First Section is applicable.

10 POWER INPUT AND CURRENT

This Clause of the First Section is applicable except as follows:

- 10.101** The input current of any detachable hob element or portable range shall not exceed 16 A.

Compliance is checked by inspection.

11 HEATING

This Clause of the First Section is applicable.

12 VOID

13 LEAKAGE CURRENT AND ELECTRIC STRENGTH AT OPERATING TEMPERATURE

This Clause of the First Section is applicable

14 TRANSIENT OVERVOLTAGES

This Clause of the First Section is applicable.

15 MOISTURE RESISTANCE

This Clause of the First Section is applicable.

16 Leakage current and electric strength

This Clause of the First Section is applicable.

17 Overload protection of transformers and associated circuits

This Clause of the First Section is applicable.

18 Endurance

This Clause of the First Section is applicable.

19 Abnormal operation

This Clause of the First Section is applicable.

20 Stability and mechanical hazards

This Clause of the First Section is applicable.

21 Mechanical strength

This Clause of the First Section is applicable except as follows:

- 21.105** The ranges shall be rigidly constructed so as to ensure adequate strength and durability. There shall be no sharp edges or corners which may cause injury.

Compliance shall be checked by the relevant tests of the First Section, by inspection and by manual test.

22 Construction

This Clause of the First Section is applicable except as follows:

- 22.101** The design of the range shall facilitate servicing and cleaning and shall allow easy disconnection and replacement of heating units, switches, fuses, thermostats, indicator lights, regulators and associated equipment, without undue dismantling of the range.

Compliance is checked by inspection and by manual test.

- 22.102** Construction shall be such that spillage will be effectively collected or contained and will not enter the thermal insulation. Suitable means shall be provided to eliminate spillage down the back of the range.

Compliance is checked by inspection.

- 22.103** The preferred height of the cooking hob or working surface shall be (915 ± 15) mm.

Compliance is checked by measurement.

- 22.104** Hot plates constituents, including all exposed parts and supports shall be of suitable heat-resisting and corrosion-resisting material and shall not crack or distort under normal conditions of use.

Compliance is checked by inspection.

- 22.105** The heating surface of hot plate elements shall be in one plane, allowing slight concavity (not exceeding 0.5 mm) but convexity is not permitted.

Compliance is checked by inspection and measurement.

- 22.106** Open heating elements with exposed conductors shall only be situated at the top of the oven or grilling compartment.

Compliance is checked by inspection.

- 22.107** Oven runners and shelves shall be heat and corrosion resistant.

Compliance is checked by inspection.

- 22.108** The cooking hob, front and splashback, all exposed parts of the range, and the interior and the exterior of the oven shall be finished in vitreous enamel or continuous cleaning enamel having resistance to corrosion and to thermal shocks (sudden changes of temperature).

Any enamel used shall be free from toxic materials such as lead, cadmium, antimony or arsenic.

Compliance is checked by inspection.

22.109 Lids covering the heating surfaces and having a horizontal hinge at their lower edge, shall be secured against accidental closing. This requirement may be met by providing the hinge with a click stop or similar means, or by a design such that the lid can be opened through an angle of at least 100° when the appliance is placed as close as possible against a wall.

Compliance is checked by inspection, by manual test and by measurement.

23 Internal wiring

This Clause of the First Section is applicable except as follows:

23.101 Wiring shall be so situated or protected that it is not affected by fumes or spillage produced during normal cooking operations.

Compliance is checked by inspection.

23.102 Wiring which is subject to temperature rise exceeding 40°C shall have an insulation of heat-resisting material.

Compliance is checked by inspection.

23.103 Connections to heating units shall be made of suitable material so as not to deteriorate as a result of conditions of temperature and corrosion to which they may be exposed in service.

Compliance is checked by inspection.

24 Components

This Clause of the First Section is applicable.

25 Supply connection and external flexible cords

This Clause of the First Section is applicable except as follows:

- 25.101** . Fixed ranges shall be provided with terminals for supply and earthing connections, and with a suitable conduit entry.

Compliance is checked by inspection.

- 25.102** Portable appliances shall be provided with a flexible cord of suitable cross-sectional area and of length not less than 1.8 m but not exceeding 2 m.

Compliance is checked by inspection and by measurement.

26 Terminals for external conductors

This Clause of the First Section is applicable.

27 Provision for earthing

This Clause of the First Section is applicable.

28 Screws and connections

This Clause of the First Section is applicable.

29 Clearances, creepage distances and solid insulation

This Clause of the First Section is applicable.

30 Resistance to heat and fire

This Clause of the First Section is applicable.

31 Resistance to rusting

This Clause of the First Section is applicable.

32 Radiation, toxicity and similar hazards

This Clause of the First Section is applicable.

AAA.2.1 Thermal efficiency of boiling hotplates

It shall not be less than 55%.

Compliance is checked by the following test:

AAA.2.1.1 This test shall be carried at a room temperature (t_1) which is kept at $(20 \pm 1) ^\circ\text{C}$.

AAA.2.1.2 A straight sided flat bottomed aluminium pan having a diameter equal to the boiling plate under test shall be used complete with lid in this test. Determine its weight, empty, (W_1) in kg.

AAA.2.1.3 A suitable amount of water (see table No. 1), whose weight in kg (W_2) has been determined, shall be put in the pan for a time sufficient to attain the room temperature (t_1).

AAA.2.1.4 The boiling plate shall be operated at rated voltage until conditions of adequate heat discharge are established, and then the pan with water shall be placed centrally on it. Continue heating the water until its final temperature (t_2) reaches a value from 90°C to 95°C , and measure the watt-hour (E) consumed in raising the water temperature from (t_1) to the final value (t_2).

AAA.2.1.5 Calculate the efficiency of the boiling plate from the following relation:

$$\text{Thermal efficiency} = \frac{f (0.22 W_1 + W_2) (t_2 - t_1)}{E}$$

Where:

f (factor transforming k.cal to Wh) = 1.16

0.22 W_1 = the water equivalent of the aluminium pan and lid

AAA/2.2 Oven heat-up time

The time required to heat the oven through a temperature range of 235°C shall not exceed 25 minutes.

Compliance is checked by the following test:

- AAA/2.2.1** Allow the oven to stand with the doors open for 2 hours, and determine the ambient temperature.
- AAA/2.2.2** A thermocouple, located at the centre of the oven working space, shall be used for temperature measurement.
- AAA/2.2.3** Close the door and operate the oven at rated voltage and at the maximum heating position.
- AAA/2.2.4** Record the time taken to heat the oven through a temperature range of 235°C.

AAA/2.3 Oven heat loss

The heat loss per unit of oven internal area shall not exceed 650 W/m².

Compliance is checked by the following test:

- AAA/2.3.1** Determine the net internal area (A) of the oven, in m².
- AAA/2.3.2** Preheat the oven and operate for a stabilizing period not less than 1 hour.
- AAA/2.3.3** The oven controls shall be set so as to maintain the oven at an average temperature as close as possible to 180°C above room air temperature.

AAA/2.3.4 The test shall continue for 2 hours at least, commencing and finishing on a cut-out of the thermostat.

Record the test period (P) in hours.

AAA/2.3.5 Measure the energy input (E) during the test, in Wh.

AAA/2.3.6 Determine the average oven temperature as being the average of the maximum and minimum temperatures recorded after each operation of the thermostat.

AAA/2.3.7 Determine the room air temperature as the average of reading taken at intervals of not more than 15 minutes throughout the test.

AAA/2.3.8 Calculate the average oven temperature rise (t_r) during the test, in °C.

AAA/2.3.9 Determine the average heat loss, in watts per square metre of net internal area, required to maintain the oven at an average temperature rise of 180°C above room temperature, from the following relation:

$$\text{Heat loss (W/m}^2\text{)} = \frac{E}{P} \cdot \frac{1}{A} \cdot \frac{180}{t_r}$$

Draft Standard No. 15744**" Household and similar electrical appliances – Safety – Part 2-6: Particular requirements for stationary cooking ranges, hobs, ovens and similar appliances".**

The preliminary draft of this Standard has been prepared by the work team composed of the following:

Name	Agency
1. Eng. Youssef Abdel-Hamid obaya	Saudi Specialized Laboratories Company (Motabaqah)
2. Eng. Hussien Saad Hammam	Al-Babtain Company

The draft Standard was accepted for distribution to the concerned bodies in meeting No. (...) of the Technical Committee No. (1) "Household Appliances and Their Accessories" composed of the following names:

Name	Agency
1. Dr Mohammed A Al-Kadi	King Saud University, Faculty of Engineering
2. Eng. Youssef Abdel-Hamid obaya	Saudi Specialized Laboratories Company (Motabaqah)
3. Eng. Hussien Saad Hammam	Al-Babtain Compan
4. Eng. Saleh Al-Ghamdy	The technical Faculty – Riyadh
5. Eng. Cherine Helmy Gohary	General Electric Internationa
6. Eng. Abdullah Al-Ghamdy	Riyadh Menucibility
7. Eng Amro M. Mohammed	SASO