



IEC Standard Articulated Test Probe is a precision test probe made according to Figure 2 (Fig. 2) of the IEC 61032 (Test probe B) and is used to simulate a human finger. It is also used by the standards of CSA, IRAM, UL. IEC 60335, IRAM 4220-1 and in most of the rules involved in the verification of accessibility to live parts.

The Jointed Test Finger was made on stainless steel and Polyamide handle.

Material: Stainless Steel.

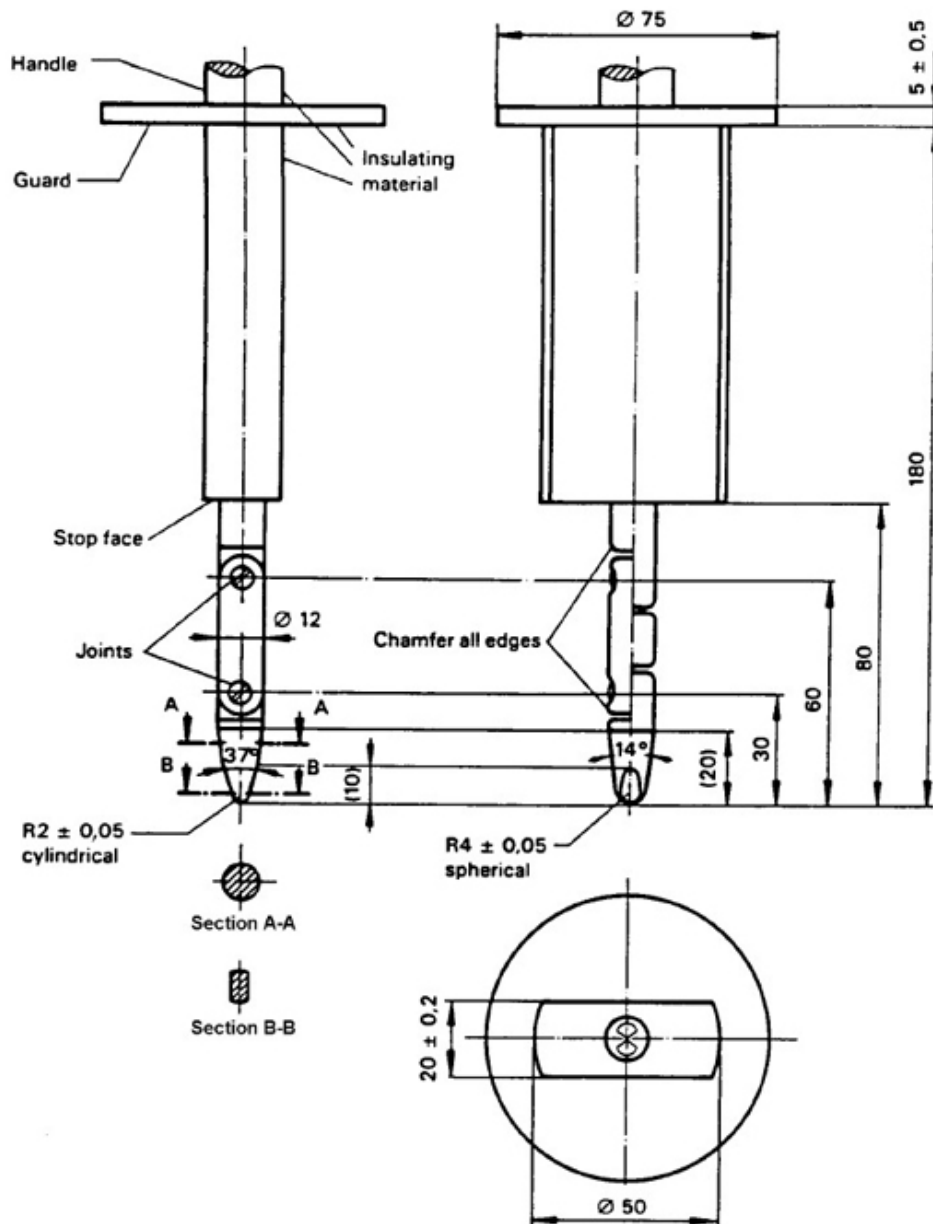
Handle: Polyamide.

Finish: Chrome plating.

According to: IEC 61032, IEC 60335-1, IEC 60529-2001, IEC 61010-1, IRAM 4220-1, SASO/IEC 60335-1, SASO IEC 60950, IEC 60950/EN60950.

Thrust: 10N

b)



Dimensions in millimetres

Material: metal, except where otherwise specified.

Tolerance on dimensions when no specific tolerance is given:

– on angles: $\begin{matrix} 0 \\ -10^\circ \end{matrix}$

– on linear dimensions: up to 25 mm: $\begin{matrix} 0 \\ -0,05 \end{matrix}$ mm; over 25 mm: $\pm 0,2$ mm.

Both joints shall permit movement in the same plane and the same direction through an angle of 90° with a 0° to $+10^\circ$ tolerance.

This probe is intended to verify the basic protection against access to hazardous parts. It is also used to verify the protection against access with a finger.

Figure 2 – Test probe B